

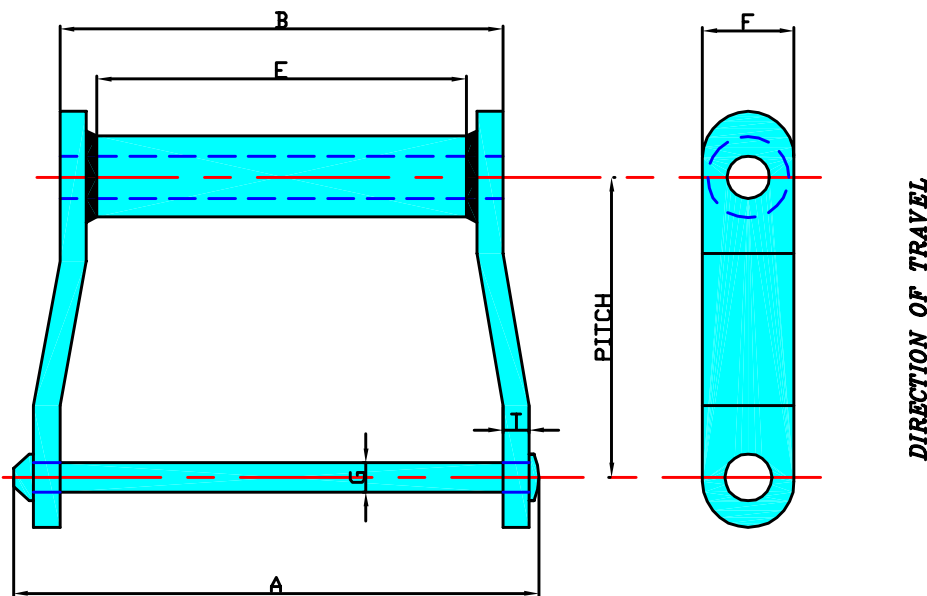
WELDED CHAINS

WELDED SERIES STEEL

Welded steel drag chain

provides efficient economical service when used in chip and sawdust conveyors, and similar applications.

Features include original formed barrel design for complete rivet to barrel contact for maximum rivet wear, higher impact strength, weldability of attachments and option of heat treatment and/or induction hardening of specific parts.



CHAIN N°	AVERAGE PITCH		A		E		SIDE BARS				PINS G		BARREL D		MINIMUM ULTIMATE STRENGTH		RATED WORKING LOAD		AVERAGE WEIGHT PER Ft
	IN	mm	IN	mm	IN	mm	IN	mm	IN	mm	IN	mm	IN	mm	lb	kg	lb	kg	
WH 102	5.000	127	9.13	231.9	6.5	165.1	0.38	9.65	1.5	38.1	0.75	19.05	7.75	196.9	38300	17373	8500	3855.7	11
WH 104	6.000	152.4	6.75	171.5	4.13	104.9	0.38	9.65	1.5	38.1	0.75	19.05	5.38	136.7	38300	17373	8600	3855.7	9
WH 110	6.000	152.4	11.8	299.7	9	228.6	0.38	9.65	1.5	38.1	0.75	19.05	10.38	236.7	38300	17373	8600	3855.7	12
WH 112	8.000	203.2	11.8	299.7	9	228.6	0.38	9.65	1.5	38.1	0.75	19.05	10.38	236.7	38300	17373	8600	3855.7	10
WH 113	6.000	152.4	12.5	317.5	9	228.6	0.50	12.7	1.5	38.1	0.88	22.35	10.63	270	48000	21773	9300	4218.5	18
WH 116	8.000	203.2	15.5	393.7	13	330.2	0.38	9.65	1.75	44.45	0.75	19.05	14.13	258.9	55000	24948	10700	4853.5	13
WH 118	8.000	203.2	16.8	426.7	13.3	337.8	0.50	12.7	2	50.8	0.88	22.35	14.88	378	70000	31752	12300	5579.2	21
WH 120	6.000	152.4	12.1	307.3	8.75	222.3	0.50	12.7	2	50.8	0.88	22.35	10.25	260.4	70000	31752	15000	6804	20
WH 480	8.000	203.2	14.6	370.8	11.2	284.5	0.50	12.7	2	50.8	0.88	22.35	12.75	323.9	70000	31752	12300	5579.2	18



(UK) John King Chains Limited.
New Climax Works, Lancaster Way, Sherburn in Elmet LS25 6NS UK
Telephone: (44) 01977 681910 Facsimile: (44) 01977 681899
E-mail: admin@johnking-chain.com
technical@johnking-chain.com
sales@johnking-chain.com

John King (USA) Inc.
200 Catherine Street, Unit 7B, E. Peoria IL61611 USA
Telephone: 309-698-9250 Facsimile: 309-698-9259
E-mail: salesusa@johnking-chain.com

Web: www.johnkingchains.com

WELDED CHAINS

Higher Ultimate Strength.
Improved performance over cast chain equivalent.

Weldability - Any style of attachment can easily be welded to standard base chain.

Greater Wear - Improved wear performance with carbon steel plates & heat treated pin & bush.

Heat treating of King climax chain will increase the wearability and prolong the chain life, thus reducing down time and minimizing maintenance problems.

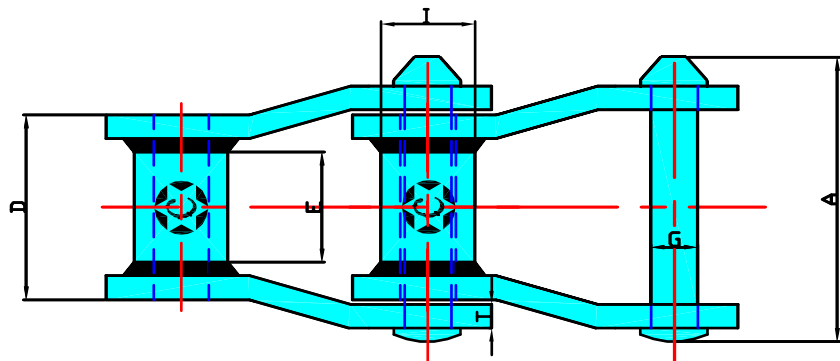
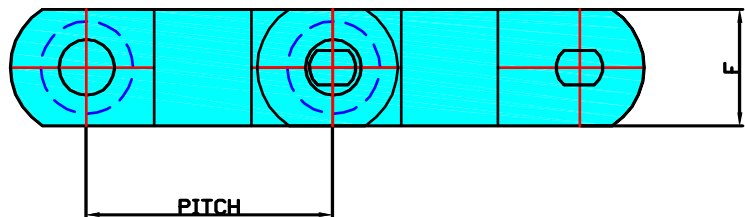
Side Bar -
Through hardened 28 - 32 rc
Induction hardened 48 - 55 rc

Rivet -
Induction hardened zone
0.100 deep 50 - 55 rc

Bush -
Induction hardened zone
40 - 45 rc

WELDED SERIES STEEL

DIRECTION OF TRAVEL FOR DRIVE
→
FOR CONVEYORS
←



CHAIN N°	AVERAGE PITCH		A		E		SIDE BARS				PINS		BARREL				MINIMUM ULTIMATE STRENGTH		RATED WORKING LOAD	
	IN	mm	IN	mm	IN	mm	THICKNESS T		HEIGHT F		IN	mm	D	I		lb	kg	lb	kg	
WH 78	2.609	66.3	2.98	75.7	1.12	28.44	0.25	6.35	1.13	28.7	0.5	12.7	2	50.8	0.88	22.35	25500	11567	3000	1361
WH 82	3.075	78.1	3.25	82.55	1.25	31.75	0.25	6.35	1.25	31.75	0.56	14.2	2.25	57.15	1.22	30.9	29500	13381	4400	1996
WH 124	4.000	101.6	4.18	106.2	1.63	41.4	0.38	9.65	1.50	38.1	0.75	19.05	2.81	71.4	1.44	36.58	50500	22907	7350	3334
WH 111	4.760	120.9	4.79	121.7	2.26	57.15	0.38	9.65	1.50	38.1	0.75	19.05	3.38	86.9	1.44	36.58	50500	22907	8850	3788
WH 106	6.000	152.4	4.18	106.2	1.63	41.4	0.38	9.65	1.50	38.1	0.75	19.05	2.81	71.4	1.44	36.58	50500	22907	7350	3334
WH 132	6.050	153.7	6.31	160.2	3	76.2	0.5	12.7	2	50.8	1	25.4	4.38	111.3	1.75	44.45	85500	38783	15000	6804



(UK) John King Chains Limited.
New Climax Works, Lancaster Way, Sherburn in Elmet LS25 6NS UK
Telephone: (44) 01977 681910 Facsimile: (44) 01977 681899
E-mail: admin@johnking-chain.com
technical@johnking-chain.com
sales@johnking-chain.com

John King (USA) Inc.
200 Catherine Street, Unit 7B, E. Peoria IL61611 USA
Telephone: 309-698-9250 Facsimile: 309-698-9259
E-mail: salesusa@johnking-chain.com

Web: www.johnkingchains.com