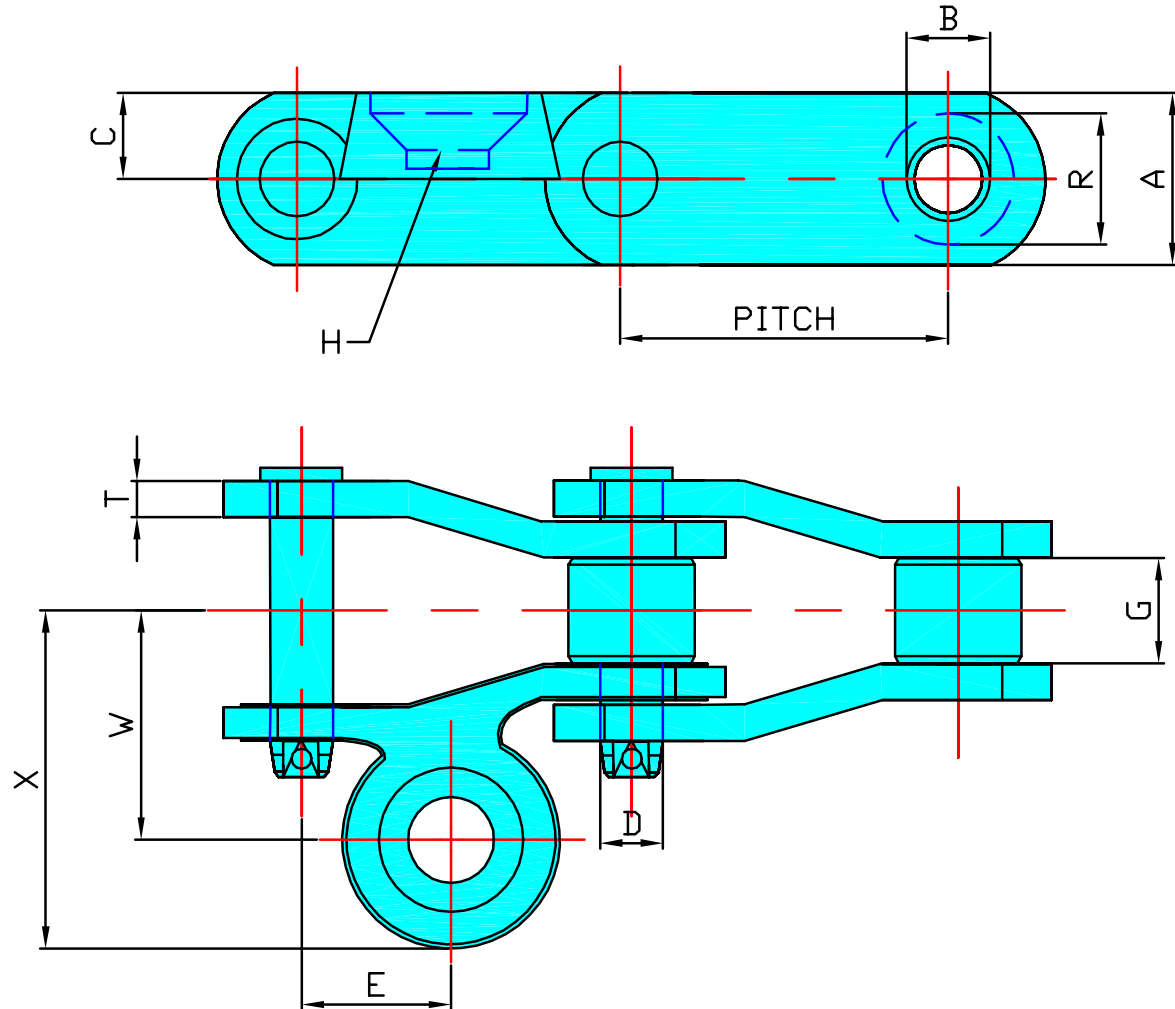


## SPECIAL SERIES CHAINS

## CHAINS FOR PAVING MACHINES AND ASPHALT FINISHERS



### CHAIN DATA

All Strengths, Weights and Loads are in pounds

CHAIN N°	PITCH		ALLOW. LOAD	U.T.S	D		R		A		C		B		C	
	in	mm			in	mm	in	mm	in	mm	in	mm	in	mm	in	mm
<b>MXR131 A1</b>	<b>3.08</b>	<b>78.1</b>	<b>4,375</b>	<b>60,000</b>	<b>0.62</b>	<b>15.75</b>	<b>1.25</b>	<b>31.8</b>	<b>1.50</b>	<b>38.1</b>	<b>1.25</b>	<b>31.8</b>	<b>0.91</b>	<b>23.1</b>	<b>0.75</b>	<b>19.0</b>

E		H		T		W		X	
in	mm	in	mm	in	mm	in	mm	in	mm
<b>1.98</b>	<b>35.0</b>	<b>0.75</b>	<b>19.0</b>	<b>0.38</b>	<b>9.65</b>	<b>2.33</b>	<b>59.2</b>	<b>3.36</b>	<b>85.3</b>



(UK) John King Chains Limited.  
 New Climax Works, Lancaster Way, Sherburn in Elmet LS25 6NS UK  
 Telephone: (44) 01977 681910 Facsimile: (44) 01977 681899  
 E-mail: [admin@johnking-chain.com](mailto:admin@johnking-chain.com)  
[technical@johnking-chain.com](mailto:technical@johnking-chain.com)  
[sales@johnking-chain.com](mailto:sales@johnking-chain.com)

John King (USA) Inc.  
 200 Catherine Street, Unit 7B, E. Peoria IL61611 USA  
 Telephone: 309-698-9250 Facsimile: 309-698-9259  
 E-mail: [salesusa@johnking-chain.com](mailto:salesusa@johnking-chain.com)

Web: [www.johnkingchains.com](http://www.johnkingchains.com)