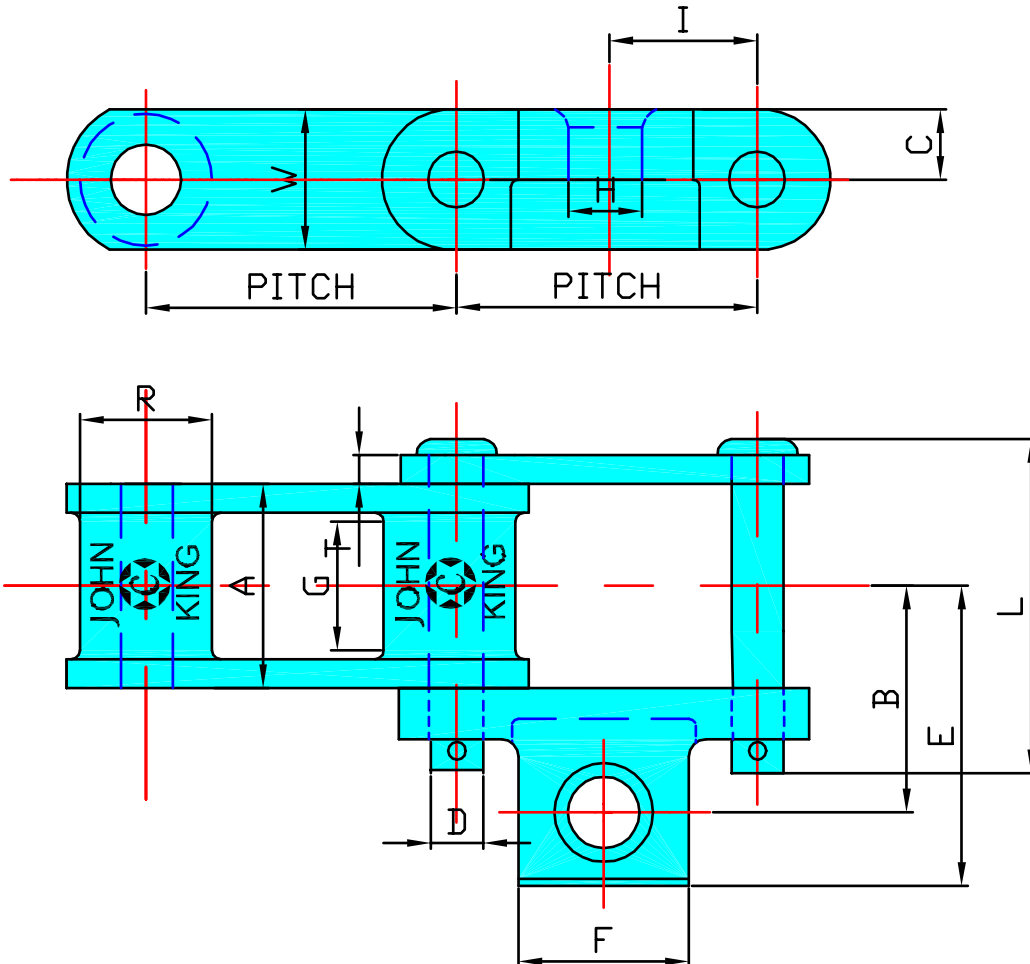


## SPECIAL SERIES CHAINS

## CHAINS FOR PAVING MACHINES AND ASPHALT FINISHERS



### CHAIN DATA

All Strengths, Weights and Loads are in pounds

CHAIN N°	PITCH		AVG. U.T.S	WEIGHT	A		D		G		L		R		T		W	
	in	mm			in	mm	in	mm	in	mm	in	mm	in	mm	in	mm	in	mm
C131	3.07	78	24000	6.5	2	50.8	0.63	16	1.13	29	3.63	92.1	1.25	31.8	0.375	9.5	1.5	38.1
C188	2.61	66.5	14000	3.5	1.57	40	0.5	13	0.88	22	2.63	67	1.25	31.8	0.25	6	1.125	29

### ATTACHMENT DATA

All Strengths, Weights and Loads are in pounds

ATTACH NO.	AVERAGE WEIGHT PER FOOT	E		B		C		H		I		F	
		in	mm	in	mm	in	mm	in	mm	in	mm	in	mm
A1	9.66	3.22	81.6	2.44	62.0	0.75	19.0	0.75	19.0	1.54	39.0	2	50.8



(UK) John King Chains Limited.  
 New Climax Works, Lancaster Way, Sherburn in Elmet LS25 6NS UK  
 Telephone: (44) 01977 681910 Facsimile: (44) 01977 681899  
 E-mail: admin@johnking-chain.com  
 technical@johnking-chain.com  
 sales@johnking-chain.com

John King (USA) Inc.  
 200 Catherine Street, Unit 7B, E. Peoria IL61611 USA  
 Telephone: 309-698-9250 Facsimile: 309-698-9259  
 E-mail: salesusa@johnking-chain.com

Web: www.johnkingchains.com