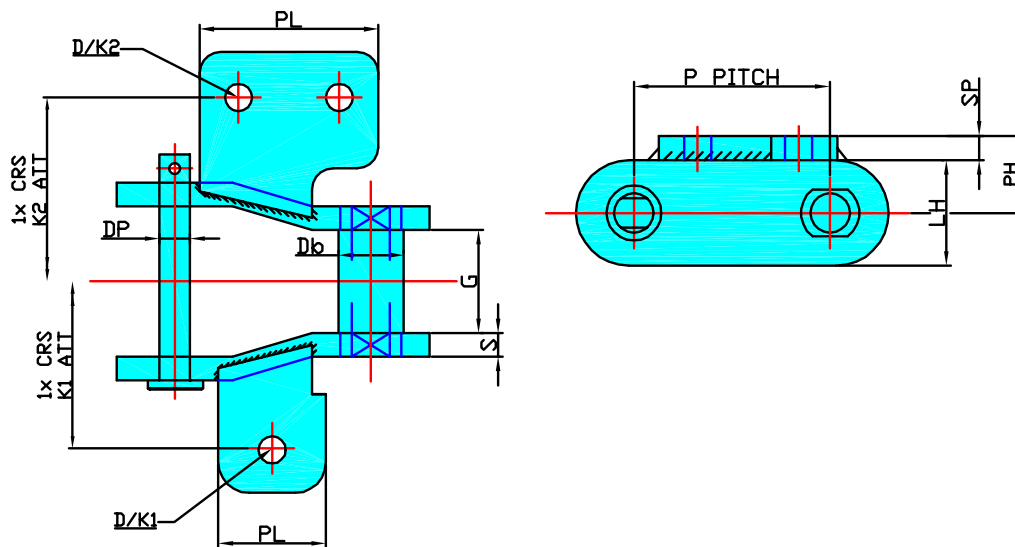


SPECIAL SERIES CHAINS

KING MAXI SERIES CHAINS

- Armour case hardened pin and bush from high alloy steel. Maximum surface hardness for ultimate wear performance and chain life. High material core strength for added toughness.
- Forged headed pin with milled flats to prevent rotation. Cottered construction making chain "fully dismountable" for maximum ease in maintenance.
- Heat treated carbon steel link plate, for maximum ultimate chain strength. bead blasted.
- High interference fits between "round parts" and link plates for maximum extended chain life.
- Offset sidebar style offers maximum performance in elevator. Open end must lead, as this obviates any frictional wear which could take place between link and driving wheel.
- Maximum strength/weight ratio is available with much increased ultimate strength over cast link alternative.
- Maximum versatility with all combinations of attachment in addition to "k" style including f,g,l and m.



CHAIN N°	PITCH	G	DP	Db	LH	S	STYLE	SP	PL	D	C	PH	ULTIMATE STRENGTH
MX503	76.7	38	14	27.8	40	8	K1 K2	8 8	38 70	9.5 9.5	44.4	28 28	26.500lbs
MX504	103.7	50	16	33	50	10	K2	10	67	12.7	38	35	46.000lbs
MX600	153.4	50	18	28.6	50	10	K1 K2	10 10	45 110	13 12.7	70	27 35	50.500lbs
MX603	76.2	38	14	22.5	40	8	K1 K2	8 8	38 70	12 11	44.4	28 28	33.000lbs
MX604	101.6	57	16	25	50	10	K1 K2	10 10	60 70	13 12.7	38	30 35	55.000lbs
MX704	101.6	57	18	30	55	12	K2	10	70	12	38	30	



(UK) John King Chains Limited.
 New Climax Works, Lancaster Way, Sherburn in Elmet LS25 6NS UK
 Telephone: (44) 01977 681910 Facsimile: (44) 01977 681899
 E-mail: admin@johnking-chain.com
 technical@johnking-chain.com
 sales@johnking-chain.com

John King (USA) Inc.
 200 Catherine Street, Unit 7B, E. Peoria IL61611 USA
 Telephone: 309-698-9250 Facsimile: 309-698-9259
 E-mail: salesusa@johnking-chain.com

Web: www.johnkingchains.com