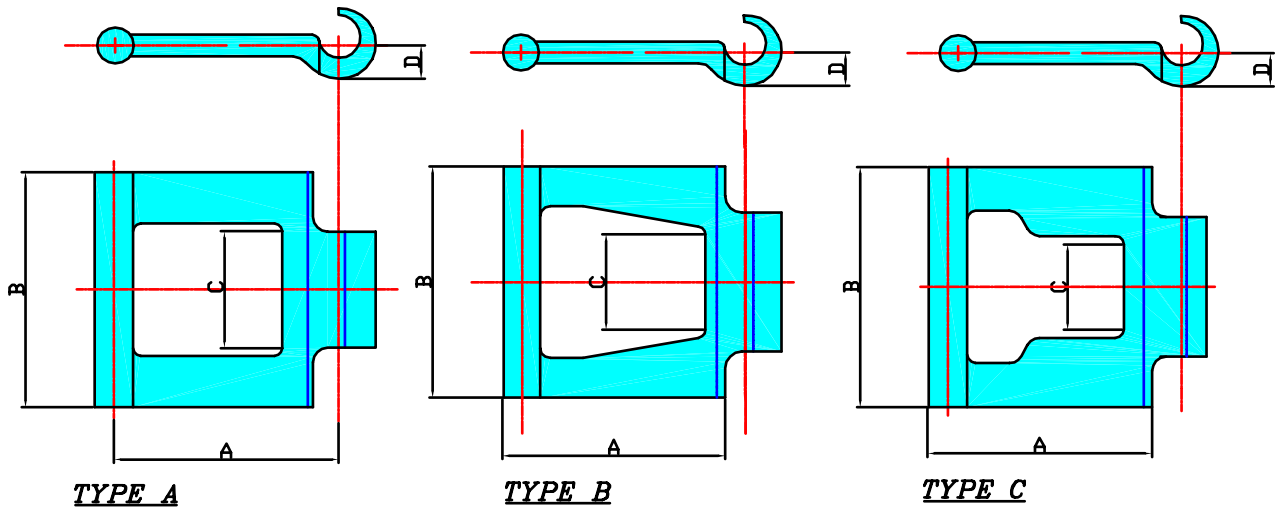


## SPECIAL SERIES CHAINS

## JK PATTERN STEEL DETACHABLE CHAIN



CHAIN N°	STYLE	A	B	C	D	No OF LINKS PER METRE	WORKING LOAD Kg	WEIGHT Kg PER METRE	AVERAGE ULTIMARE STRENGTH N
55	A	41.7	36.5	16.5	10.5	24.0	500	1.35	25000
57	A	59.0	48.0	24.0	10.5	16.9	700	1.55	34000
62	A	41.7	42.5	20.5	10.5	24.0	600	1.60	30000
72 1/2	B	42.2	52.0	24.0	10.5	23.7	650	2.00	33000
74	A	60.6	65.0	28.0	15.7	16.5	1350	3.80	65000
78	B	67.1	70.0	28.0	12.5	14.9	1200	3.15	50000
103	C	78.5	87.0	32.0	15.7	12.7	1900	5.75	75000



(UK) John King Chains Limited.  
 New Climax Works, Lancaster Way, Sherburn in Elmet LS25 6NS UK  
 Telephone: (44) 01977 681910 Facsimile: (44) 01977 681899  
 E-mail: admin@johnking-chain.com  
 technical@johnking-chain.com  
 sales@johnking-chain.com

John King (USA) Inc.  
 200 Catherine Street, Unit 7B, E. Peoria IL61611 USA  
 Telephone: 309-698-9250 Facsimile: 309-698-9259  
 E-mail: salesusa@johnking-chain.com

Web: www.johnkingchains.com