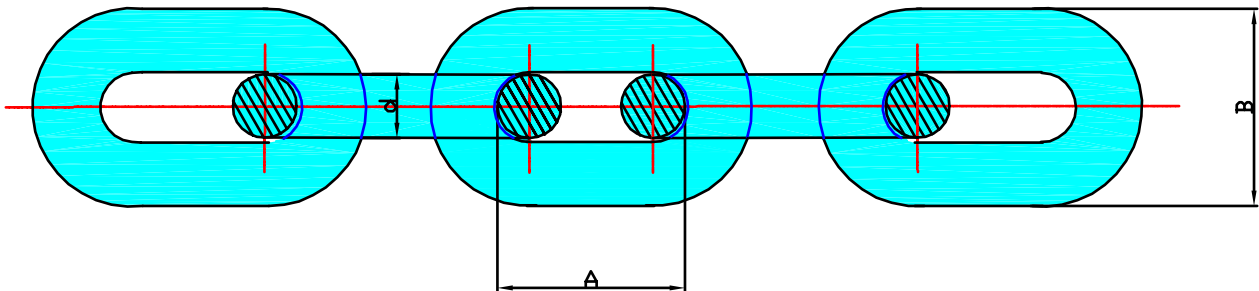


ROUND LINK CHAINS

MINING CHAIN



CHAIN SIZE 'd'	PITCH A		WIDTH B		PROOF LOAD			MINIMUM BREAKING LOAD			WIEGHT	
	in	mm	in	mm	tons	cwt	Kg	tons	cwt	Kg	lb/ft	Kg/m
14mm	1.968	50	1.456	44	20	10	20828	23	0	23368	2.63	3.9
18mm	2.520	64	1.73	57	35	18	36500	40	7	41000	4.38	6.5
22mm	3.385	86	2.24	72	54	2	55000	60	0	61000	6.24	9.4



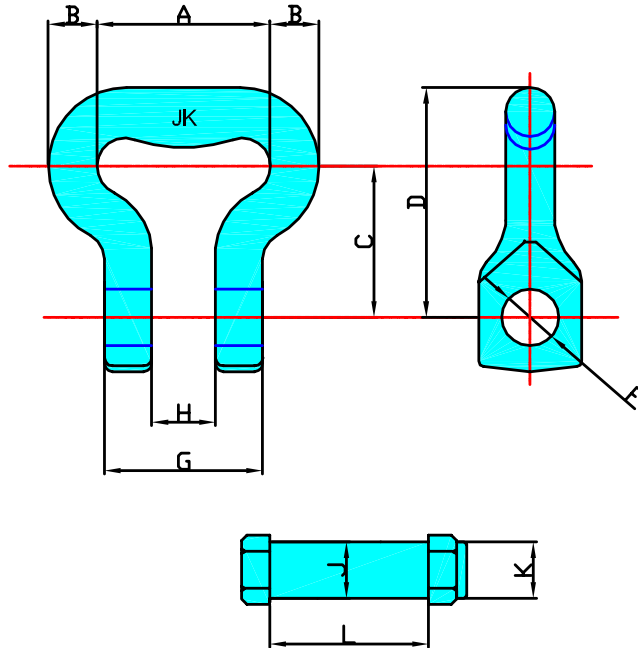
(UK) John King Chains Limited.
 New Climax Works, Lancaster Way, Sherburn in Elmet LS25 6NS UK
 Telephone: (44) 01977 681910 Facsimile: (44) 01977 681899
 E-mail: admin@johnking-chain.com
 technical@johnking-chain.com
 sales@johnking-chain.com

John King (USA) Inc.
 200 Catherine Street, Unit 7B, E. Peoria IL61611 USA
 Telephone: 309-698-9250 Facsimile: 309-698-9259
 E-mail: salesusa@johnking-chain.com

Web: www.johnkingchains.com

ROUND LINK CHAINS

MINING CHAIN SHACKLE TYPE CONNECTION WITHOUT WEAR PAD



All dimensions in mm unless otherwise stated

CHAIN SIZE	CONNECTOR							BOLT		
	A	B	C	D	F	G	H	J	K	L
14mm	50	14	47.5	70	18	43	15	15.8	5/16" BSW	60
18mm	64	18	51	79	17.5	54	18	15.8	5/16" BSW	75
22mm	86	22	76.2	111.5	27	76	29	25.4	1/2" BSW	98.5



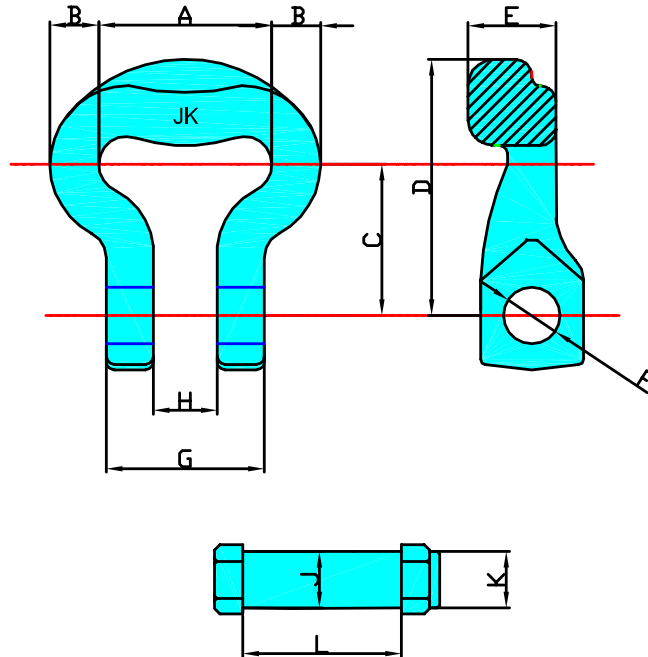
(UK) John King Chains Limited.
New Climax Works, Lancaster Way, Sherburn in Elmet LS25 6NS UK
Telephone: (44) 01977 681910 Facsimile: (44) 01977 681899
E-mail: admin@johnking-chain.com
technical@johnking-chain.com
sales@johnking-chain.com

John King (USA) Inc.
200 Catherine Street, Unit 7B, E. Peoria IL61611 USA
Telephone: 309-698-9250 Facsimile: 309-698-9259
E-mail: salesusa@johnking-chain.com

Web: www.johnkingchains.com

ROUND LINK CHAINS

MINING CHAIN SHACKLE TYPE CONNECTION WITH WEAR PAD



All dimensions in mm unless otherwise stated

CHAIN SIZE	CONNECTOR								BOLT		
	A	B	C	D	E	F	G	H	J	K	L
14mm	50	14	47.5	77.5	29	18	42.9	15	15.8	5/16" BSW	60
18mm	64	19	55.6	100	39.5	22.2	51	18	19	3/4" BSW	73
22mm	86	23	75	124	50	25	68	29	24	M24	100



(UK) John King Chains Limited.
New Climax Works, Lancaster Way, Sherburn in Elmet LS25 6NS UK
Telephone: (44) 01977 681910 Facsimile: (44) 01977 681899
E-mail: admin@johnking-chain.com
technical@johnking-chain.com
sales@johnking-chain.com

John King (USA) Inc.
200 Catherine Street, Unit 7B, E. Peoria IL61611 USA
Telephone: 309-698-9250 Facsimile: 309-698-9259
E-mail: salesusa@johnking-chain.com

Web: www.johnkingchains.com