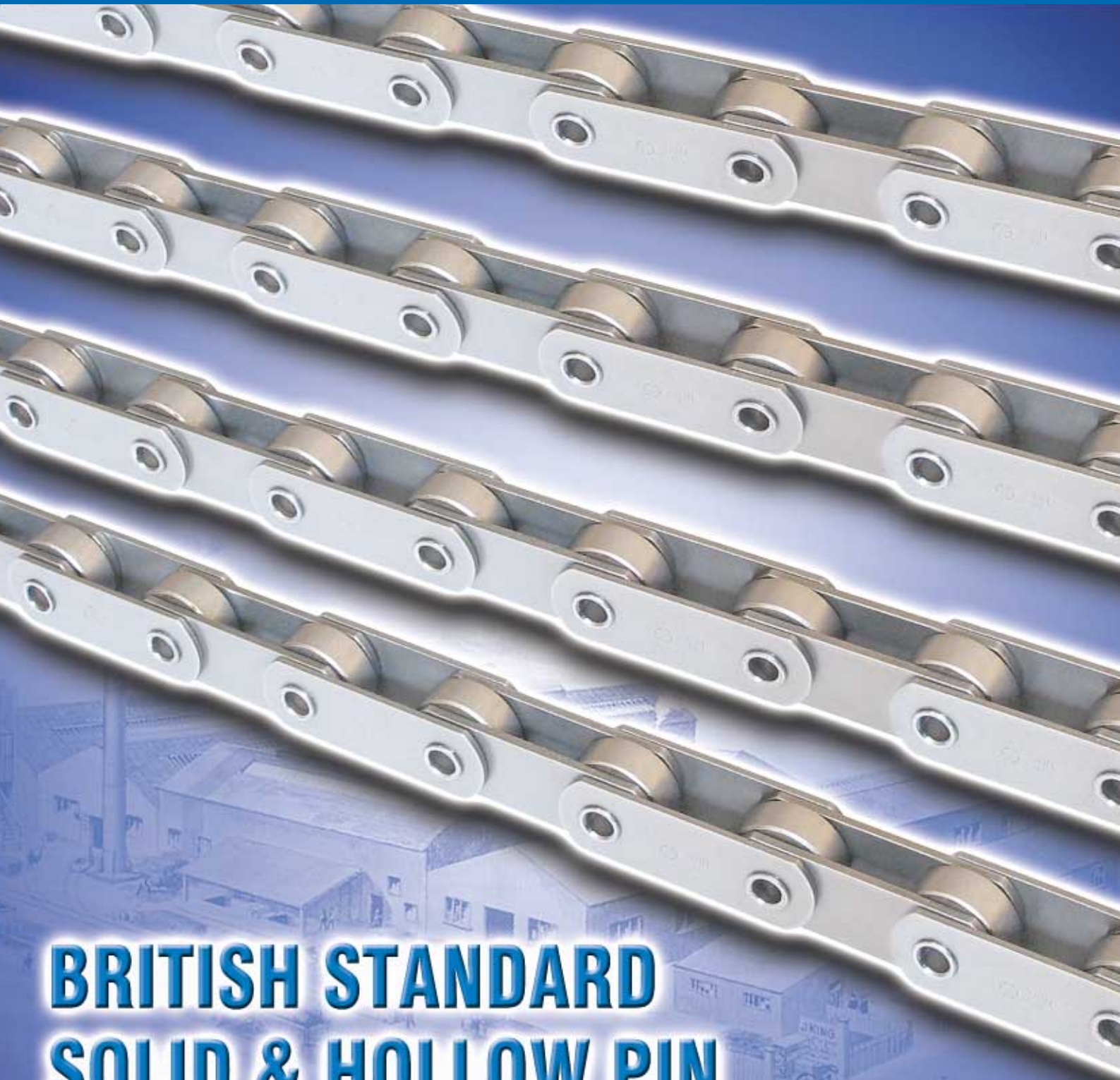




JOHN KING

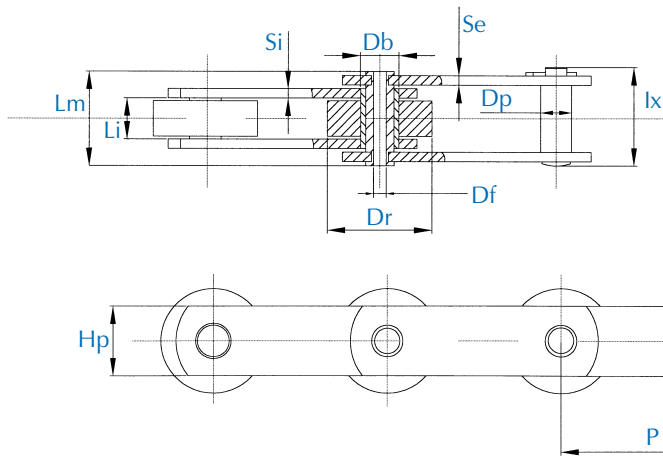


BRITISH STANDARD SOLID & HOLLOW PIN CONVEYOR CHAINS & SPROCKETS

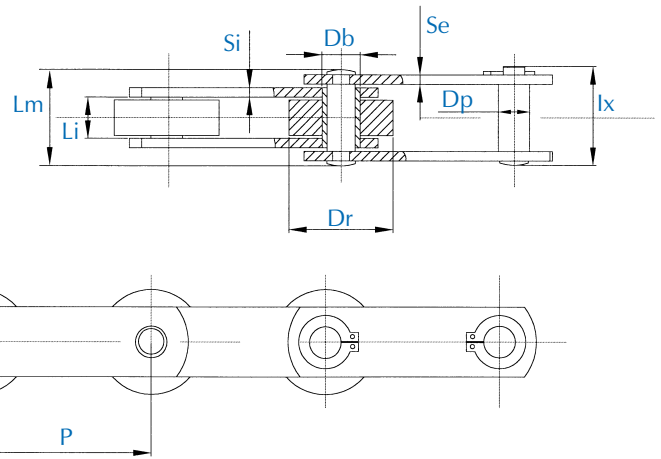
- *Wide Range of Chains Available from Stock*
- *Standard & Non-Standard Attachments on a Rapid Turnaround*
- *Cast & Fabricated Sprockets Machine Finished as Required*
 - *Non Stock Items Available on Request*

TURNING THE WHEELS OF INDUSTRY SINCE 1926

Hollow Bearing Pin



Solid Bearing Pin



Hollow Bearing Pin Dimensional Details

All measurements in mm unless stated.

CHAIN No.	P	Li	Dr	Db	Df	Dp	Hp	Si	Se	Lm	lx	ULTIMATE STRENGTH	WEIGHT/ METER Kg/m
HP27/0508/P	50.8	15.0	31.8	18.0	10.2	14.0	25.0	4.0	4.0	36.0	44.0	6000lb 2700kg	4.00
HP27/0762/P	76.2	15.0	31.8	18.0	10.2	14.0	25.0	4.0	4.0	36.0	44.0		3.40
HP27/1016/P	101.6	15.0	31.8	18.0	10.2	14.0	25.0	4.0	4.0	36.0	44.0		2.80
HP27/1524/P	152.4	15.0	31.8	18.0	10.2	14.0	25.0	4.0	4.0	36.0	44.0	12000lb 5450kg	2.00
HP55/0762/P	76.2	19.0	47.6	23.6	13.2	19.0	40.0	5.0	4.0	44.0	51.0		6.50
HP55/1016/P	101.6	19.0	47.6	23.6	13.2	19.0	40.0	5.0	4.0	44.0	51.0		5.60
HP55/1524/P	152.4	19.0	47.6	23.6	13.2	19.0	40.0	5.0	4.0	44.0	51.0	4.70	
HP110/1016/P	101.6	25.4	66.7	33.0	20.1	26.9	50.0	7.0	5.0	58.0	65.0	24000lb	11.10
HP110/1524/P	152.4	25.4	66.7	33.0	20.1	26.9	50.0	7.0	5.0	58.0	65.0	10900kg	9.00

Solid Bearing Pin Dimensional Details

All measurements in mm unless stated.

CHAIN No.	P	Li	Dr	Db	Dp	Hp	Si	Se	Lm	lx	ULTIMATE STRENGTH	WEIGHT/ METER Kg/m
SP43/0508/P	50.8	15.0	31.8	18.0	14.0	25.0	4.0	4.0	36.0	44.0	7500lb 3400kg	4.00
SP43/0762/P	76.2	15.0	31.8	18.0	14.0	25.0	4.0	4.0	36.0	44.0		3.40
SP43/1016/P	101.6	15.0	31.8	18.0	14.0	25.0	4.0	4.0	36.0	44.0		2.80
SP43/1524/P	152.4	15.0	31.8	18.0	14.0	25.0	4.0	4.0	36.0	44.0	15000lb 6800kg	2.00
SP75/1016/P	101.6	19.0	47.6	23.6	19.0	40.0	5.0	4.0	44.0	51.0		5.60
SP75/1524/P	152.4	19.0	47.6	23.6	19.0	40.0	5.0	4.0	44.0	51.0		4.70
SP135/1016/P	101.6	25.4	66.7	33.0	26.9	50.0	7.0	5.0	58.0	65.0	30000lb	11.10
SP135/1524/P	152.4	25.4	66.7	33.0	26.9	50.0	7.0	5.0	58.0	65.0	13650kg	9.00

Hollow Bearing Pin Cross Reference

SERIES	PITCH	KING	RENOLD	PRECISION	ZMC
60001	2"	HP27/0508	105080/16	A080D1	ZC40/0508
60001	3"	HP27/0762	105120/16	A12D1	ZC40/0762
60001	4"	HP27/1016	105160/16	A16D1	ZC40/1016
60001	6"	HP27/1524	105240/16	A24D1	ZC40/1524
12000	3"	HP55/0762	105121/16	A12G1	ZC60/0762
12000	4"	HP55/1016	105161/16	A16G1	ZC60/1016
12000	6"	HP55/1524	105241/16	A24G1	ZC60/1524
24000	4"	HP110/1016	105162/12	A16H1	ZC150/1016
24000	6"	HP110/1524	105242/12	A24H1	ZC150/1524

Solid Bearing Pin Cross Reference

SERIES	PITCH	KING	RENOLD	PRECISION	ZMC
7500	3"	SP43/0762	145120/12	B12D1	Z40/0762
7500	4"	SP43/1016	145160/12	B16D1	Z40/1016
7500	6"	SP43/1524	145240/12	B24D1	Z40/1524
15000	3"	SP75/0762	145121/12	B12G1	Z100/0762
15000	4"	SP75/1016	145161/12	B16G1	Z100/1016
15000	6"	SP75/1524	145241/12	B24G1	Z100/1524
30000	4"	SP135/1016	145162/12	B16H1	Z160/1016
30000	6"	SP135/1524	145242/12	B24H1	Z160/1524



John King Chains Ltd, New Climax Works, Blackburn Industrial Estate, Enterprise Way, Sherburn-in Elmet LS25 6NA UK
Tel: (44) 01977 681910 Facsimile: (44) 01977 681899 E-mail: sales@johnking-chain.com Website: www.johnking-chains.co.uk

John King USA, Inc. 200 Catherine St. Unit 7B, E. Peoria IL 61611 USA
Ph: 309-698-9250 Fax: 309-698-9259 E-mail: sales@johnking-chain.com Website: www.johnking-chains.co.uk



JOHN KING