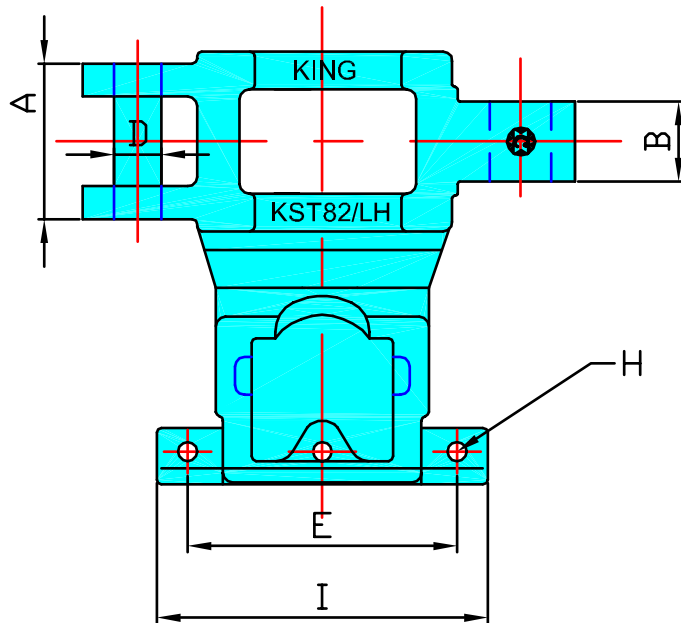
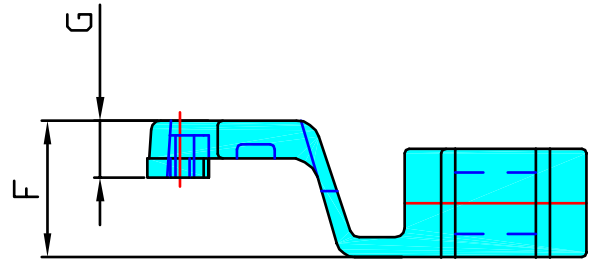
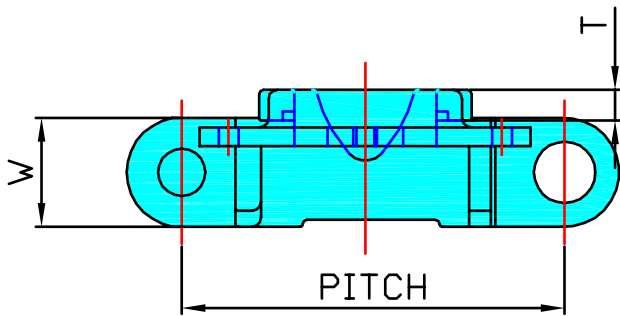


## STENTER CHAINS

## KRANTZ STENTER



CHAIN N°	PITCH		A		B		D		E		F		G		H		I		T		W	
	in	mm	in	mm	in	mm	in	mm	in	mm	in	mm	in	mm	in	mm	in	mm	in	mm	in	mm
KRANTZ	3.26	82.82	1.5	38	0.65	16.5	0.39	10	2.24	56.8	1.14	29	0.47	12	0.16	4	2.90	71	0.31	8	0.90	23

NOTE: Links available in both left hand and right hand form



(UK) John King Chains Limited.  
 New Climax Works, Lancaster Way, Sherburn in Elmet LS25 6NS UK  
 Telephone: (44) 01977 681910 Facsimile: (44) 01977 681899  
 E-mail: admin@johnking-chain.com  
 technical@johnking-chain.com  
 sales@johnking-chain.com

John King (USA) Inc.  
 200 Catherine Street, Unit 7B, E. Peoria IL61611 USA  
 Telephone: 309-698-9250 Facsimile: 309-698-9259  
 E-mail: salesusa@johnking-chain.com

Web: www.johnkingchains.com