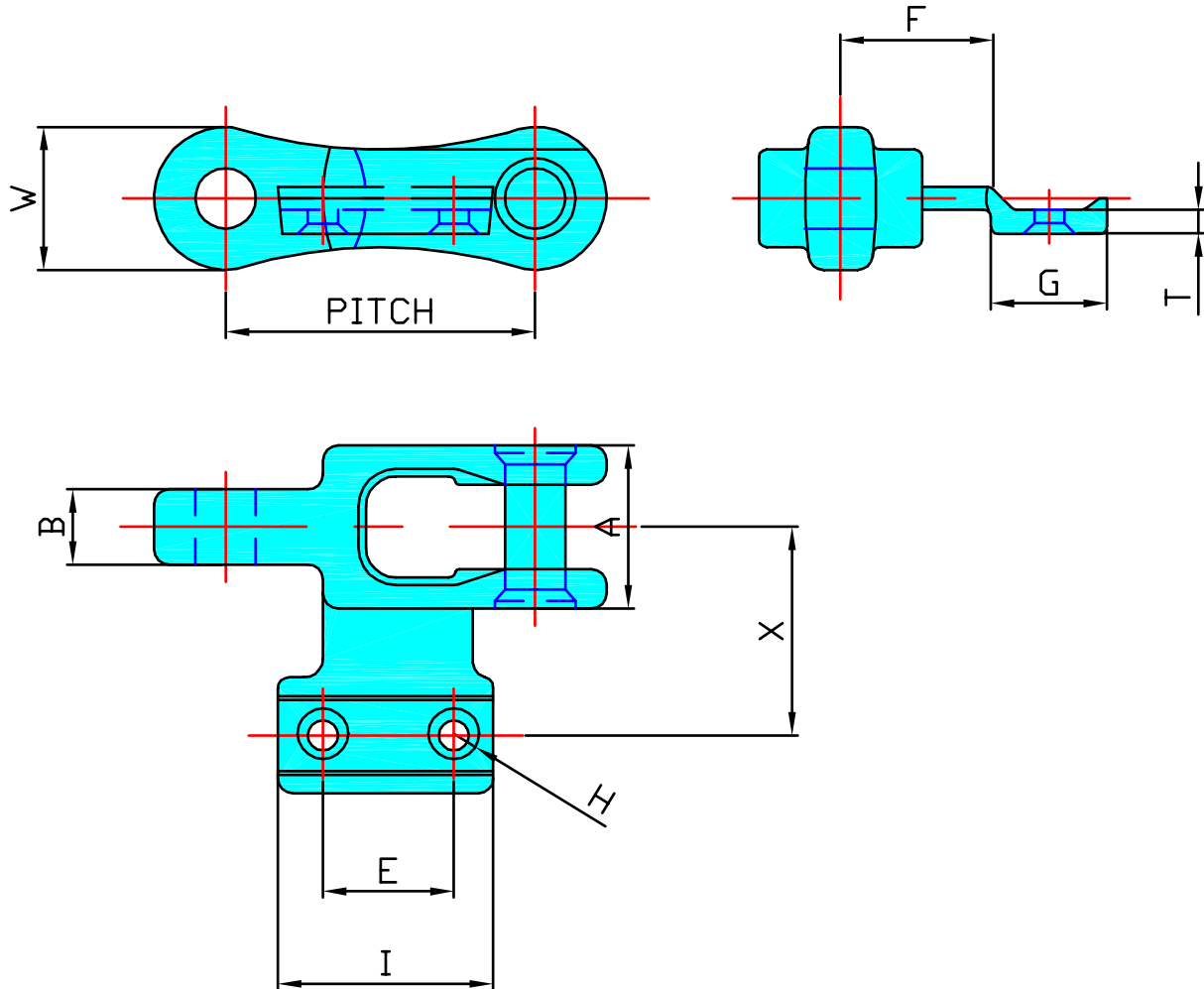


STENTER CHAINS

SL3, SL17, SL21, SL23, SL77



CHAIN N°	PITCH		A		B		D		E		F		G		H		I		T		W		X	
	in	mm	in	mm	in	mm	in	mm	in	mm	in	mm	in	mm	in	mm	in	mm	in	mm	in	mm	in	mm
SL3	3	76.2	1.18	30	0.5	12.7	0.43	11	1.38	35	1.44	36.5	0.83	21	0.315	8	2.60	65	0.22	5.5	1.18	30	1.87	47.5
SL17	2.6	66.68	1.25	31.8	0.62	15.9	0.49	12.67	1.13	28.6	2	50.8	0.63	16	0.315	8	1.75	45.45	0.25	6.35	1.25	31.75	2.31	58.8
SL21	2.6	66.68	1.25	35	0.69	17.5	0.5	12.7	1	25.4	2.44	61.91	0.94	23.81	0.315	8	1.75	45.45	0.17	4.29	1.25	31.75	3.06	77.8
SL23	3.25	82.55	1.5	43.5	0.79	20	0.632	16.05	1.37	34.9	2.19	55.6	1.22	31	0.315	8	2.28	57.4	0.28	6.5	1.5	38.1	2.19	55.6
SL77	3.25	82.55	1.5	50.8	0.87	22.2	0.63	16	1.38	35	1.60	40.6	0.88	22.3	0.315	8	2.24	57	0.25	6.35	1.5	38.1	2.25	57.2

NOTE: Links available in both left hand and right hand form



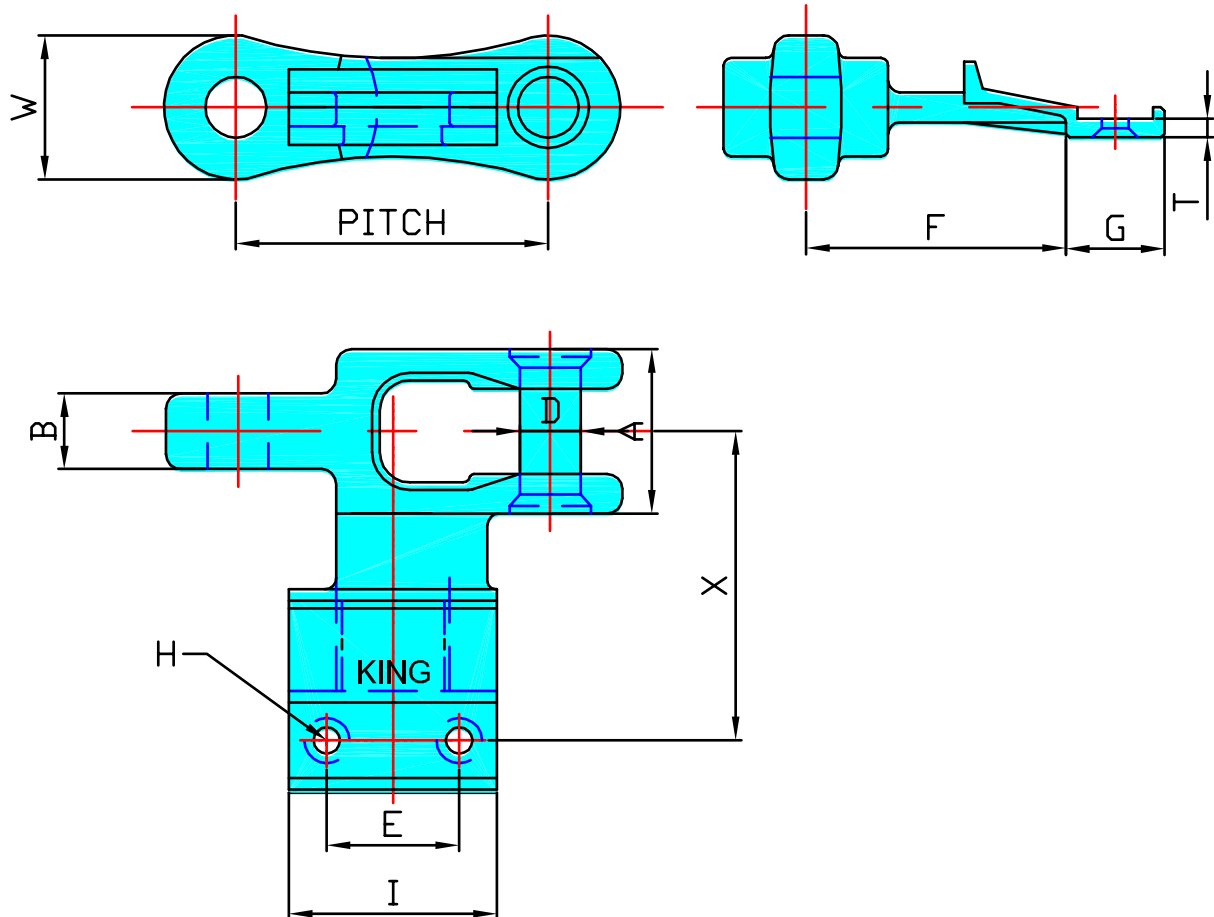
(UK) John King Chains Limited.
 New Climax Works, Lancaster Way, Sherburn in Elmet LS25 6NS UK
 Telephone: (44) 01977 681910 Facsimile: (44) 01977 681899
 E-mail: admin@johnking-chain.com
 technical@johnking-chain.com
 sales@johnking-chain.com

John King (USA) Inc.
 200 Catherine Street, Unit 7B, E. Peoria IL61611 USA
 Telephone: 309-698-9250 Facsimile: 309-698-9259
 E-mail: salesusa@johnking-chain.com

Web: www.johnkingchains.com

STENTER CHAINS

SL25, SL90



CHAIN N°	PITCH		A		B		D		E		F		G		H		I		T		W		X	
	in	mm	in	mm	in	mm	in	mm	in	mm	in	mm	in	mm	in	mm	in	mm	in	mm	in	mm	in	mm
SL25	3.25	82.55	1.71	43.5	0.79	20	0.63	16	1.38	35	2.28	57.88	1.02	26	0.315	8	2.17	55	0.19	5	1.5	38.1	3.22	81.75
SL90	3	76.2	1.10	28	0.47	12	0.68	17.25	1.38	35	2.28	57.88	1.02	26	0.275	7	2.17	55	0.19	5	1.38	34.5	2.91	74

NOTE: Links available in both left hand and right hand form



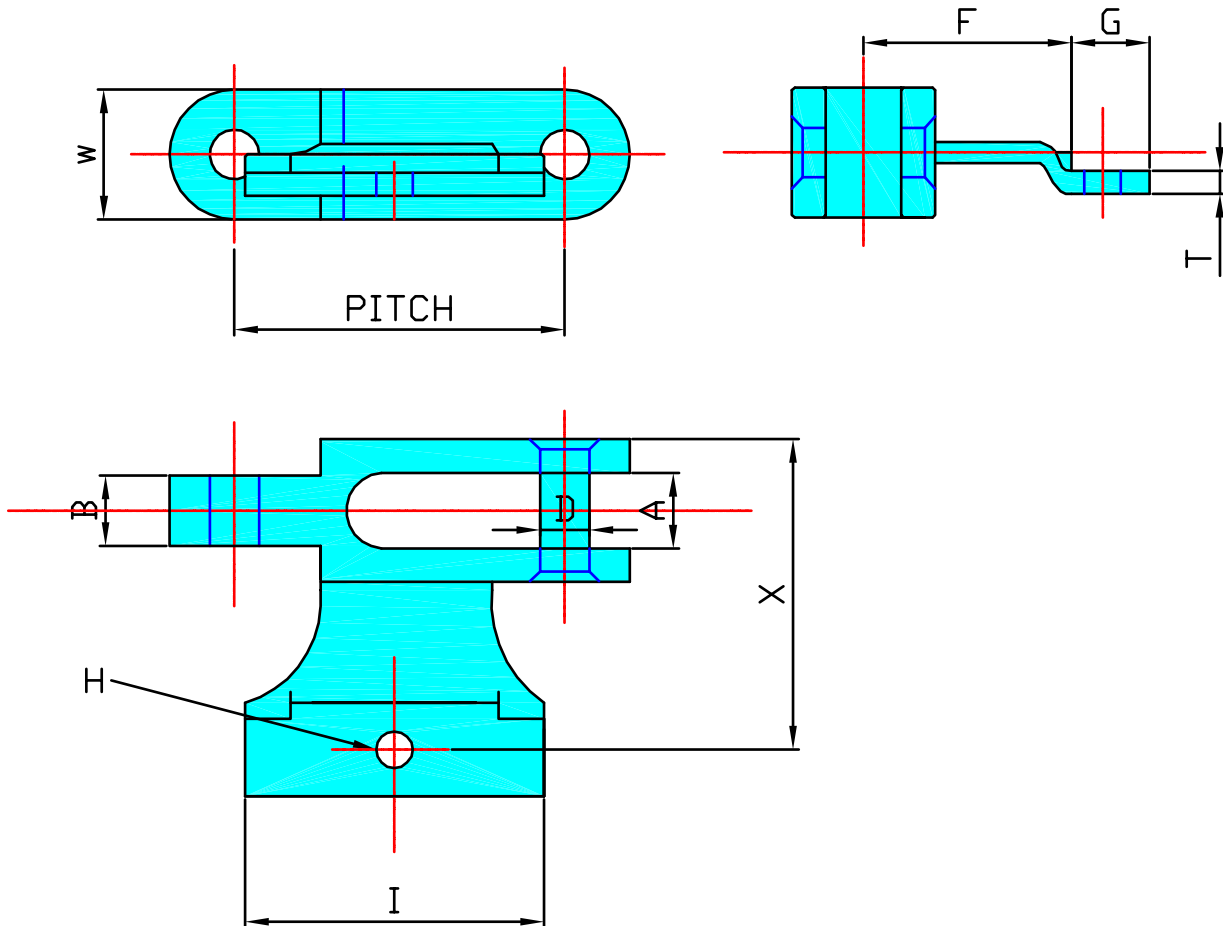
(UK) John King Chains Limited.
 New Climax Works, Lancaster Way, Sherburn in Elmet LS25 6NS UK
 Telephone: (44) 01977 681910 Facsimile: (44) 01977 681899
 E-mail: admin@johnking-chain.com
 technical@johnking-chain.com
 sales@johnking-chain.com

John King (USA) Inc.
 200 Catherine Street, Unit 7B, E. Peoria IL61611 USA
 Telephone: 309-698-9250 Facsimile: 309-698-9259
 E-mail: salesusa@johnking-chain.com

Web: www.johnkingchains.com

STENTER CHAINS

WSL 635



CHAIN N°	PITCH		A		B		D		E		F		G		H		I		T		W		X	
	in	mm	in	mm	in	mm	in	mm	in	mm	in	mm	in	mm	in	mm	in	mm	in	mm	in	mm	in	mm
WSL 635	2.5	63.5	1.08	27.5	0.63	13.5	0.37	9.5	-	-	1.34	34	0.6	15	0.28	7	2.26	57.5	0.18	4.6	0.98	25	1.81	46

NOTE: Links available in both left hand and right hand form



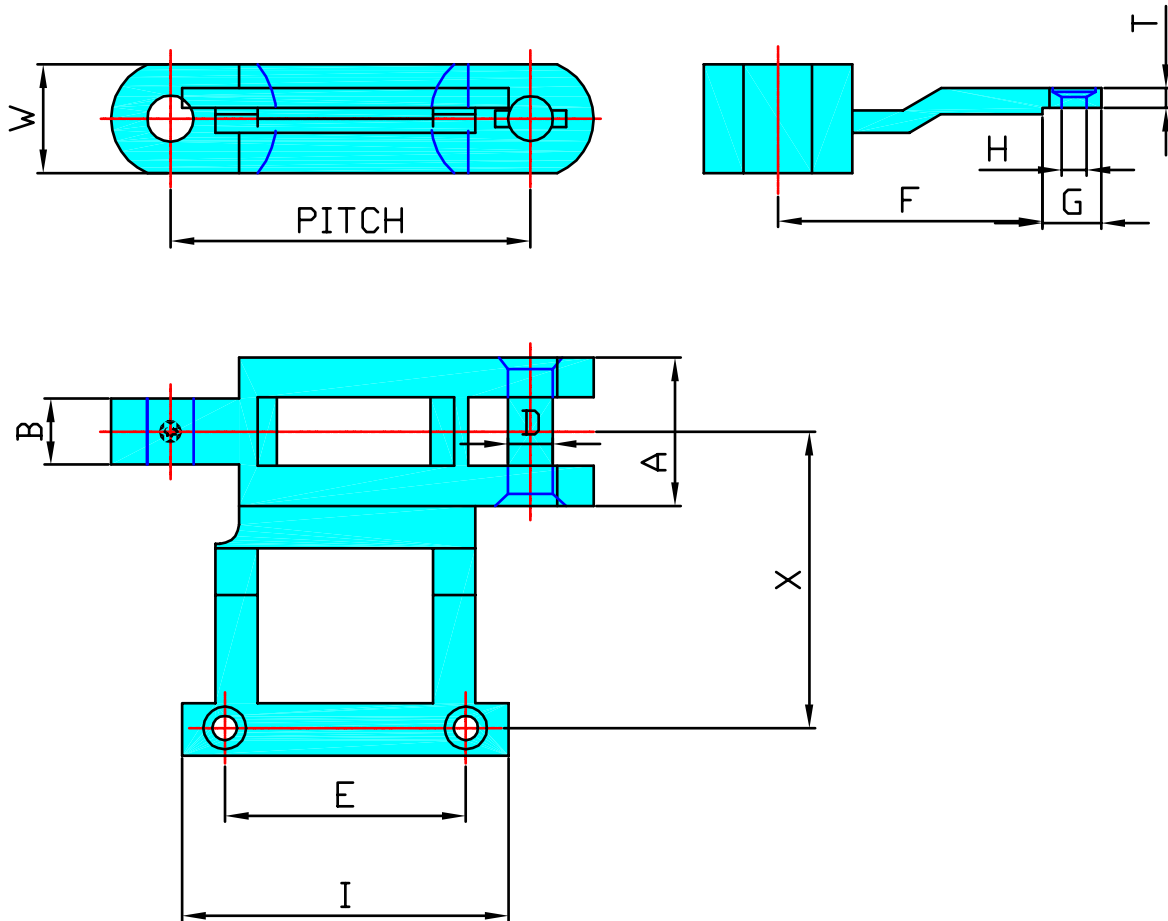
(UK) John King Chains Limited.
 New Climax Works, Lancaster Way, Sherburn in Elmet LS25 6NS UK
 Telephone: (44) 01977 681910 Facsimile: (44) 01977 681899
 E-mail: admin@johnking-chain.com
technical@johnking-chain.com
sales@johnking-chain.com

John King (USA) Inc.
 200 Catherine Street, Unit 7B, E. Peoria IL61611 USA
 Telephone: 309-698-9250 Facsimile: 309-698-9259
 E-mail: salesusa@johnking-chain.com

Web: www.johnkingchains.com

STENTER CHAINS

EGW LINK



CHAIN N°	PITCH		A		B		D		E		F		G		H		I		T		W		X	
	in	mm	in	mm	in	mm	in	mm	in	mm	in	mm	in	mm	in	mm	in	mm	in	mm	in	mm	in	mm
EGW	3	76.2	1.24	31.5	0.65	14.0	0.37	9.5	2.01	51	2.20	56	0.49	12.5	0.20	5.2	2.72	69	0.65	4.2	0.90	23	2.70	68.5

NOTE: Links available in both left hand and right hand form



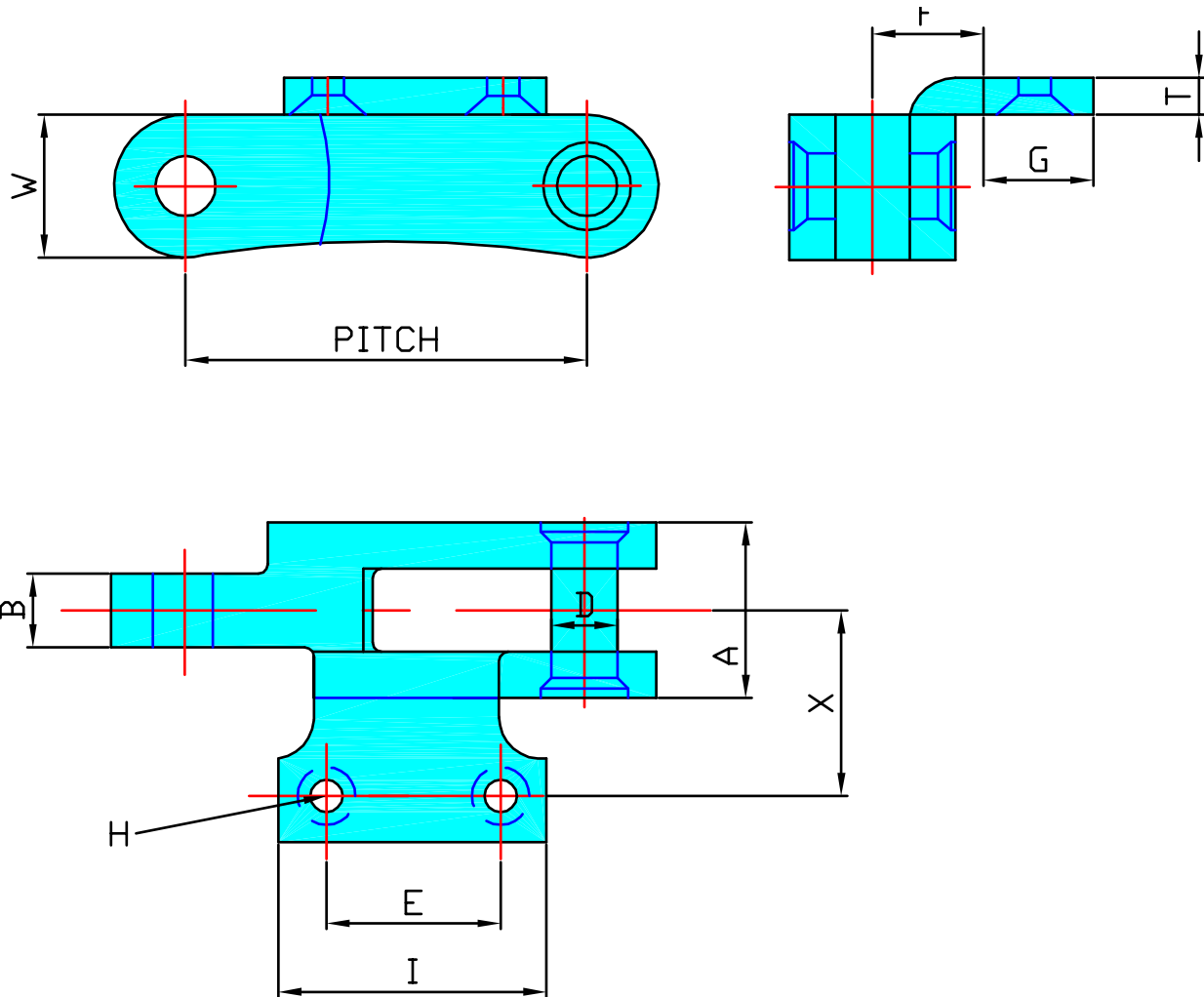
(UK) John King Chains Limited.
 New Climax Works, Lancaster Way, Sherburn in Elmet LS25 6NS UK
 Telephone: (44) 01977 681910 Facsimile: (44) 01977 681899
 E-mail: admin@johnking-chain.com
 technical@johnking-chain.com
 sales@johnking-chain.com

John King (USA) Inc.
 200 Catherine Street, Unit 7B, E. Peoria IL61611 USA
 Telephone: 309-698-9250 Facsimile: 309-698-9259
 E-mail: salesusa@johnking-chain.com

Web: www.johnkingchains.com

STENTER CHAINS

SL24



CHAIN N°	PITCH		A		B		D		E		F		G		H		I		T		W		X	
	in	mm	in	mm	in	mm	in	mm	in	mm	in	mm	in	mm	in	mm	in	mm	in	mm	in	mm	in	mm
SL24	3	76.2	1.5	38	0.63	16	0.51	13	1.5	38.1	10	24	23.9	0.94	0.28	7	2.24	57	0.31	8	1.26	32	1.54	32

NOTE: Links available in both left hand and right hand form



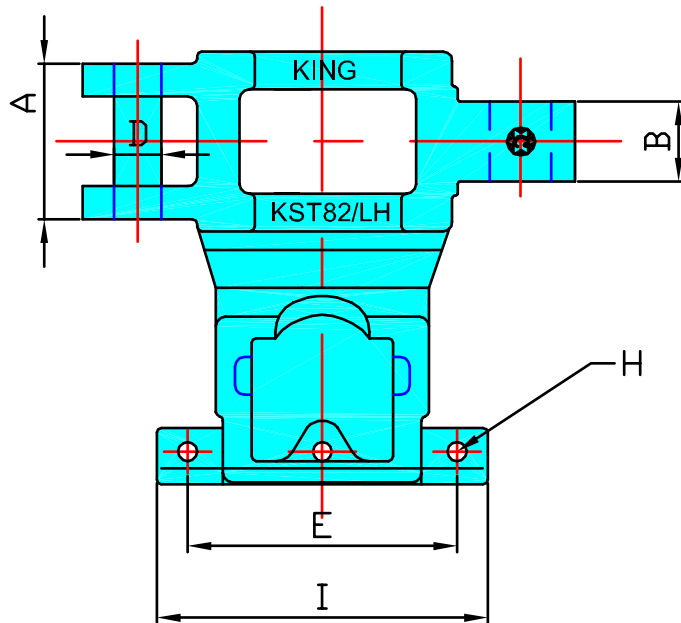
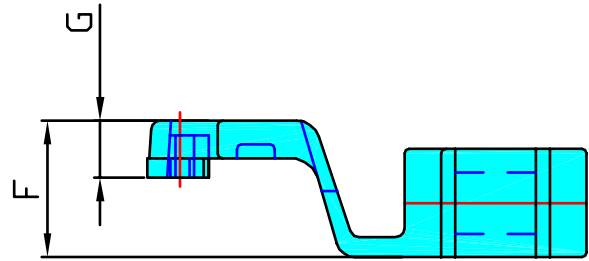
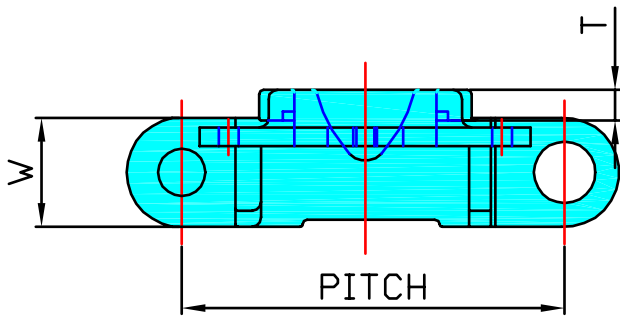
(UK) John King Chains Limited.
 New Climax Works, Lancaster Way, Sherburn in Elmet LS25 6NS UK
 Telephone: (44) 01977 681910 Facsimile: (44) 01977 681899
 E-mail: admin@johnking-chain.com
technical@johnking-chain.com
sales@johnking-chain.com

John King (USA) Inc.
 200 Catherine Street, Unit 7B, E. Peoria IL61611 USA
 Telephone: 309-698-9250 Facsimile: 309-698-9259
 E-mail: salesusa@johnking-chain.com

Web: www.johnkingchains.com

STENTER CHAINS

KRANTZ STENTER



CHAIN N°	PITCH		A		B		D		E		F		G		H		I		T		W	
	in	mm	in	mm	in	mm	in	mm	in	mm	in	mm	in	mm	in	mm	in	mm	in	mm	in	mm
KRANTZ	3.26	82.82	1.5	38	0.65	16.5	0.39	10	2.24	56.8	1.14	29	0.47	12	0.18	4	2.90	71	0.31	8	0.90	23

NOTE: Links available in both left hand and right hand form



(UK) John King Chains Limited.
 New Climax Works, Lancaster Way, Sherburn in Elmet LS25 6NS UK
 Telephone: (44) 01977 681910 Facsimile: (44) 01977 681899
 E-mail: admin@johnking-chain.com
 technical@johnking-chain.com
 sales@johnking-chain.com

John King (USA) Inc.
 200 Catherine Street, Unit 7B, E. Peoria IL61611 USA
 Telephone: 309-698-9250 Facsimile: 309-698-9259
 E-mail: salesusa@johnking-chain.com

Web: www.johnkingchains.com