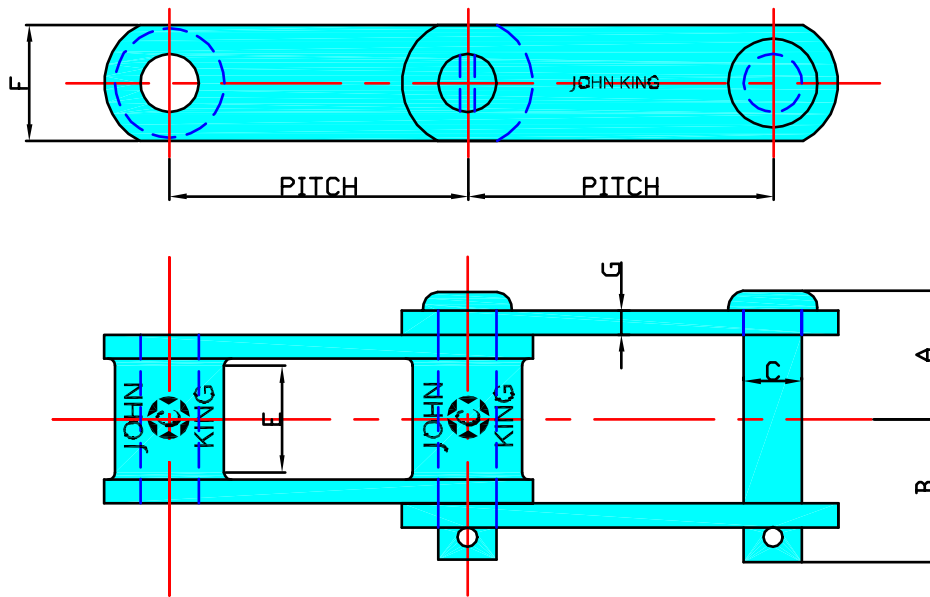


COMBINATION CHAINS

BRITISH AND AMERICAN PATTERN STEEL AND CAST



CHAIN N°	APPROX PITCH		A		B		C		E		F		G		No OF LINKS IN 10 ft	AVERAGE STRENGTH		AVERAGE NET WEIGHT	
	in	mm	in	mm	in	mm	in	mm	in	mm	in	mm	in	mm		lb	kg	lb	kg
C.55	1.631	41	1 ³ / ₃₂	25	1 ³ / ₃₂	28	3/ ₈	9.5	11/ ₁₆	18	3/ ₄	19	3/ ₁₆	5	74				
C.57	2.32	59	7/ ₈	22	1	25	5/ ₁₆	8	11/ ₁₆	18	5/ ₈	16	5/ ₃₂	4	52	4800	2180	1.1	1.64
C.102	4.00	102	2/ ₁₆	54	2 ¹ / ₄	57	5/ ₈	16	1 ⁷ / ₈	48	1 ¹ / ₂	38	3/ ₈	10	30	24000	11900	7.5	11.15
C.110	6.00	152	2 ³ / ₁₆	52	2 ³ / ₁₆	56	5/ ₈	16	1 ⁷ / ₈	48	1 ¹ / ₂	38	3/ ₈	10	20	24000	11900	5.9	8.79
C.111	4.76	121	2 ³ / ₈	60	2 ⁵ / ₈	67		19	2 ¹ / ₈	54	1 ³ / ₄	45	3/ ₈	10	24	36000	16400	9.3	13.87
C.131	3.07	78	1 ¹ / ₁₆	43	1 ¹⁵ / ₁₆	49	5/ ₈	16	1 ¹ / ₈	29	1 ¹ / ₂	38	3/ ₈	10	39	24000	11900	6.7	10.00
C.132	6.06	154	3 ³ / ₁₆	81	3 ¹ / ₄	83	1	25	3 ³ / ₈	79	2	51	1/ ₂	13	20	50000	22700	13.1	19.52
C.134	3.00	76	1 ³ / ₈	35	1 ⁷ / ₈	37	1/ ₂	13	1	25	1 ¹ / ₄	32	1/ ₄	6	40	17500	7650	3.7	5.51
C.188	2.61	66.5	1 ¹ / ₄	32	1 ³ / ₈	35	1/ ₂	13	7/ ₈	22	1 ¹ / ₈	29	1/ ₄	6	46	14000	6360	3.5	5.22



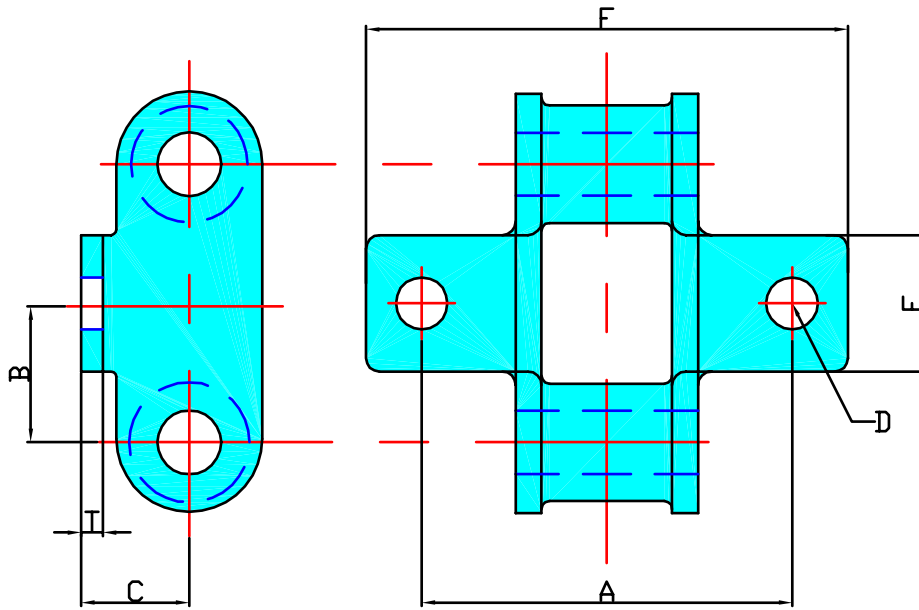
(UK) John King Chains Limited.
 New Climax Works, Lancaster Way, Sherburn in Elmet LS25 6NS UK
 Telephone: (44) 01977 681910 Facsimile: (44) 01977 681899
 E-mail: admin@johnking-chain.com
 technical@johnking-chain.com
 sales@johnking-chain.com

John King (USA) Inc.
 200 Catherine Street, Unit 7B, E. Peoria IL61611 USA
 Telephone: 309-698-9250 Facsimile: 309-698-9259
 E-mail: salesusa@johnking-chain.com

Web: www.johnkingchains.com

COMBINATION CHAINS

BRITISH AND AMERICAN PATTERN STEEL AND CAST ATTACHMENTS



TYPE K1

CHAIN N°	A		B		C		D		E		F		T	
	in	mm	in	mm	in	mm	in	mm	in	mm	in	mm	in	mm
C57	3	76	1 ⁵ / ₃₂	29	5/ ₈	16	3/ ₈ □	10	1/ ₄	32	4 ¹ / ₁₆	103	3/ ₁₆	5
C131	4 ¹ / ₈	105	1 ¹ / ₂	38	1	25	3/ ₈	10	2 ³ / ₈	68	5 ⁷ / ₁₆	138	5/ ₁₆	8
C188	3 ³ / ₄	95	1 ⁵ / ₁₆	33	3/ ₄	19	3/ ₈	10	1/ ₄	32	5	127	1/ ₄	6

□ C57 has square holes



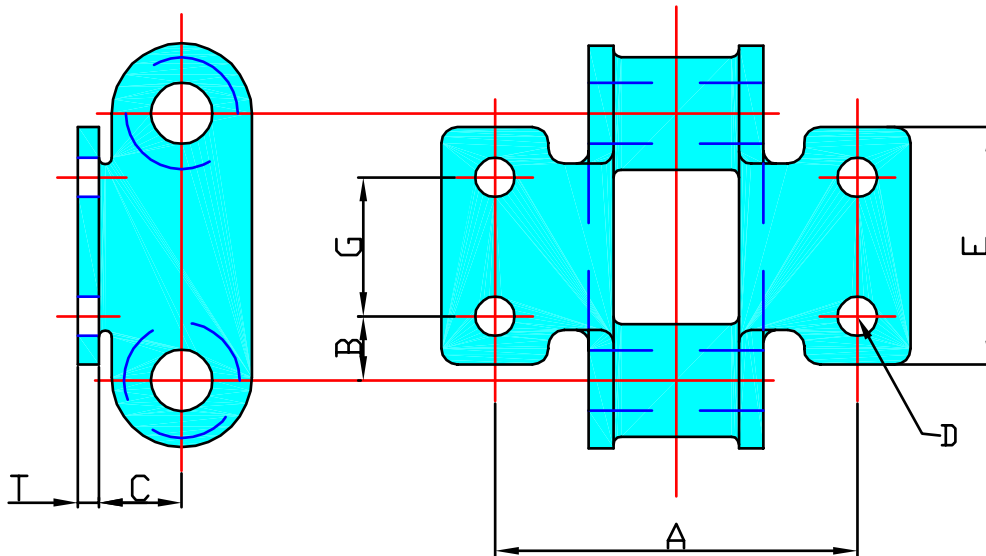
(UK) John King Chains Limited.
New Climax Works, Lancaster Way, Sherburn in Elmet LS25 6NS UK
Telephone: (44) 01977 681910 Facsimile: (44) 01977 681899
E-mail: admin@johnking-chain.com
technical@johnking-chain.com
sales@johnking-chain.com

John King (USA) Inc.
200 Catherine Street, Unit 7B, E. Peoria IL61611 USA
Telephone: 309-698-9250 Facsimile: 309-698-9259
E-mail: salesusa@johnking-chain.com

Web: www.johnkingchains.com

COMBINATION CHAINS

BRITISH AND AMERICAN PATTERN STEEL AND CAST ATTACHMENTS



TYPE K2

CHAIN N°	A		B		C		D		E		F		G		T	
	in	mm	in	mm	in	mm	in	mm	in	mm	in	mm	in	mm	in	mm
C102	5 ⁵ / ₁₆	135	1 ¹ / ₈	28	1 ⁵ / ₁₆	24	3 ³ / ₈	10	2 ³ / ₄	70	6 ¹ / ₂	165	1 ³ / ₄	45	7 ⁷ / ₃₂	6
C110	5 ⁵ / ₁₆	135	2 ¹ / ₈	54	7 ⁷ / ₈	22	3 ³ / ₈	10	2 ³ / ₄	68	6 ¹ / ₂	165	1 ³ / ₄	45	1 ¹ / ₄	6
C111	6 ¹ / ₄	159	1 ¹ / ₄	32	1 ¹ / ₈	29	3 ³ / ₈ □	10	3 ¹ / ₂	89	7 ¹ / ₂	191	2 ⁵ / ₁₆	59	1 ¹ / ₄	6
C131	4 ³ / ₁₆	106	3 ³ / ₄	19	1	25	1 ¹ / ₂	13	2 ³ / ₄	70	5 ⁷ / ₁₆	138	1 ¹ / ₂	38	5 ⁵ / ₁₆	8
C134	3 ¹ / ₂	89	3 ³ / ₄	19	1 ⁵ / ₁₆	24	3 ³ / ₈	10	2 ⁵ / ₈	67	4 ⁵ / ₈	118	1 ¹ / ₂	38	1 ¹ / ₄	6
C188	4 ¹ / ₈	105	1 ¹ / ₁₆	18	1 ³ / ₁₆	21	5 ⁵ / ₁₆	8	2 ¹ / ₈	54	5 ¹ / ₈	130	1 ¹ / ₄	32	1 ¹ / ₄	6

□ C111 has square holes



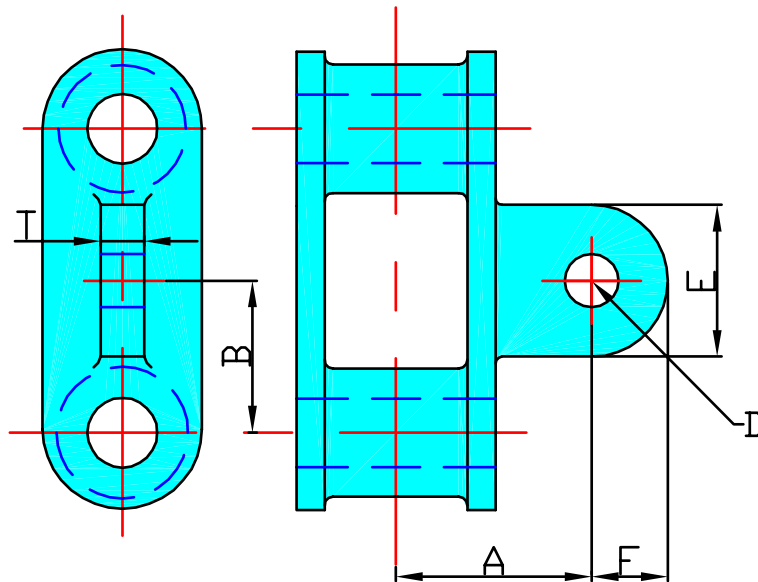
(UK) John King Chains Limited.
New Climax Works, Lancaster Way, Sherburn in Elmet LS25 6NS UK
Telephone: (44) 01977 681910 Facsimile: (44) 01977 681899
E-mail: admin@johnking-chain.com
technical@johnking-chain.com
sales@johnking-chain.com

John King (USA) Inc.
200 Catherine Street, Unit 7B, E. Peoria IL61611 USA
Telephone: 309-698-9250 Facsimile: 309-698-9259
E-mail: salesusa@johnking-chain.com

Web: www.johnkingchains.com

COMBINATION CHAINS

BRITISH AND AMERICAN PATTERN STEEL AND CAST ATTACHMENTS



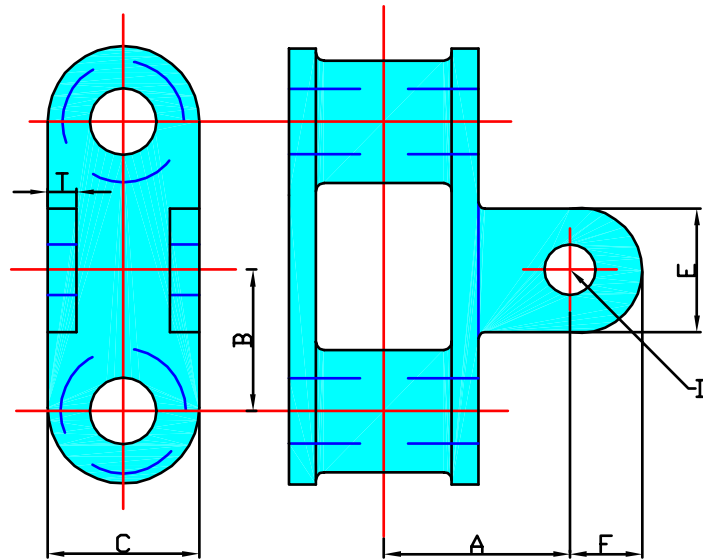
TYPE A42

CHAIN N°	A		B		D		E		F		T	
	in	mm	in	mm	in	mm	in	mm	in	mm	in	mm
C110	2 ³ / ₈	60	3	76	3/4	19	2	51	1	25	1/2	13
C134	1 ¹ / ₂	38	1 ¹ / ₂	38	7/16	11	1 ³ / ₁₆	30	9/16	14	7/16	11
C188	1 ⁹ / ₁₆	40	1 ⁵ / ₁₆	33	7/16	11	1 ¹ / ₄	32	5/8	16	3/8	10



COMBINATION CHAINS

BRITISH AND AMERICAN PATTERN STEEL AND CAST ATTACHMENTS



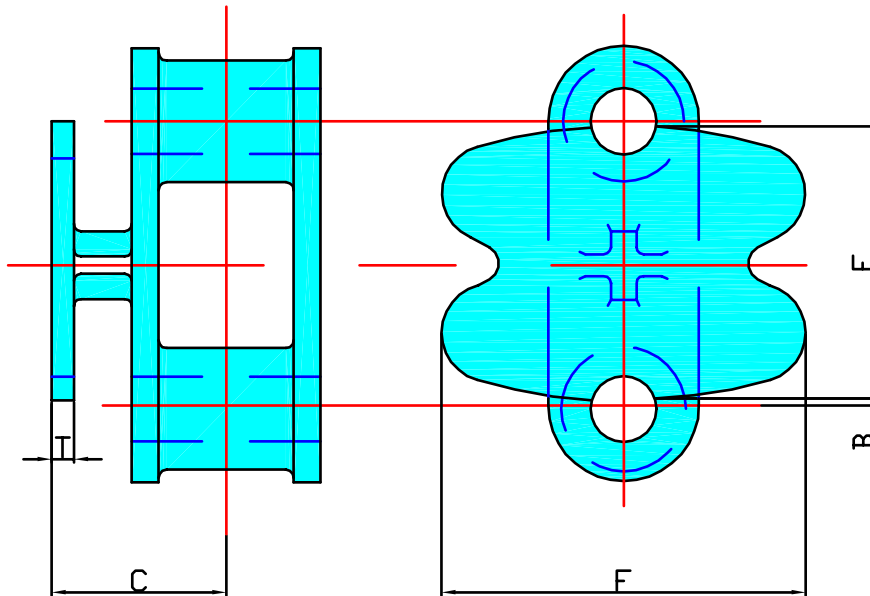
TYPE A114

CHAIN N°	A		B		C		D		E		F		T	
	in	mm	in	mm	in	mm	in	mm	in	mm	in	mm	in	mm
C131	1 ⁷ / ₈	48	1 ¹ / ₂	38	1 ¹ / ₂	38	1/2	13	1/4	32	5/8	16	3/8	10



COMBINATION CHAINS

BRITISH AND AMERICAN PATTERN STEEL AND CAST ATTACHMENTS



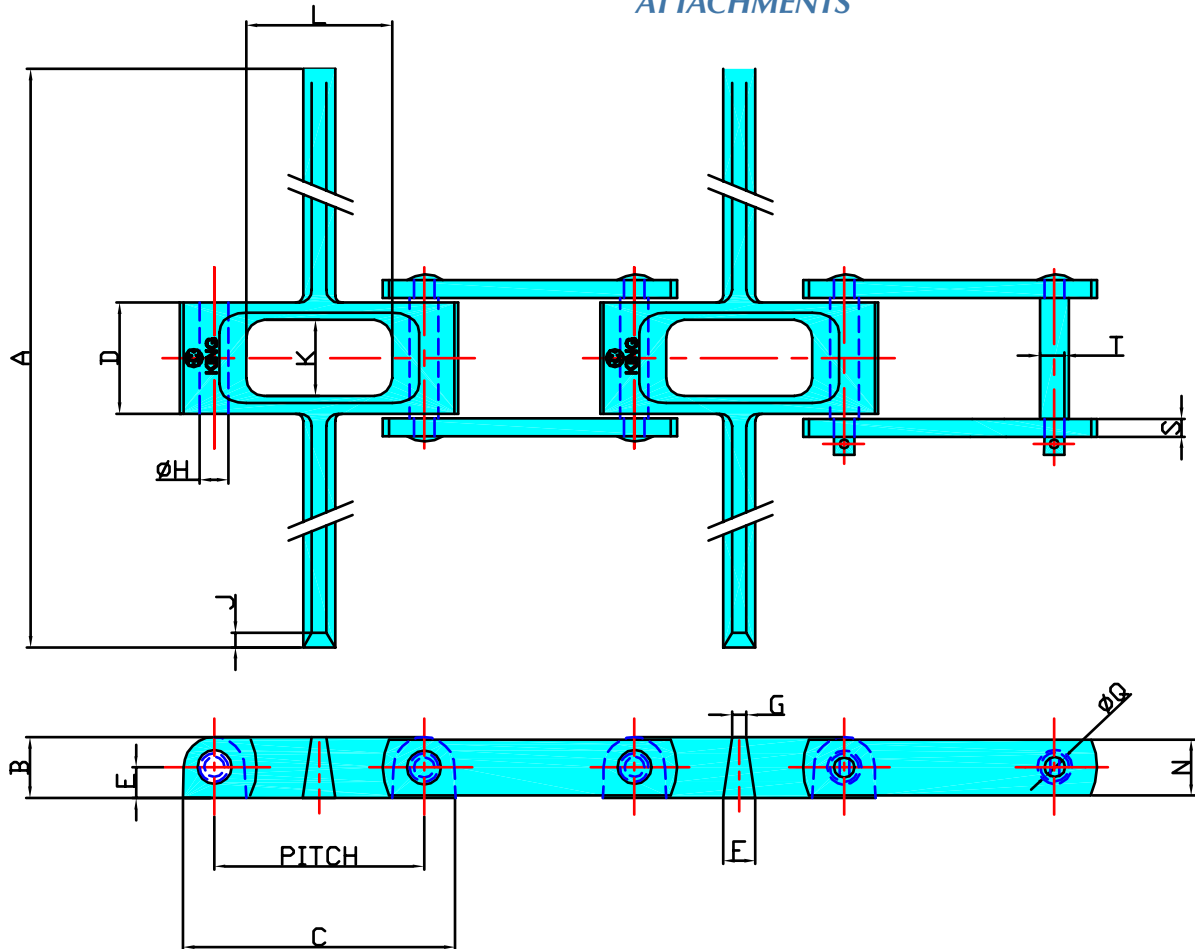
TYPE G20

CHAIN N°	B		C		E		F		T	
	in	mm	in	mm	in	mm	in	mm	in	mm
C131	1/16	2	23/16	55	27/8	73	3 1/2	89	1/4	6
C134	13/32	10	1 5/8	41	2 13/16	55	3 1/16	78	1/4	6
C188	1/4	6	1 3/4	45	3 1/8	79	3 7/16	87	1/4	6



COMBINATION CHAINS

BRITISH AND AMERICAN PATTERN STEEL AND CAST ATTACHMENTS



CHAIN N°	PITCH	A	B	C	D	E	F	G	H	J	K	L	N	P	Q	S	T
C5 6,000lb	58.6	124	17	76	31	8.5	9	4	8.3	1.5	20	41	16	6	80	5	8
C8 6,000lb	58.6	200	17	76	31	8.5	9	4	8.3	1.5	20	41	16	6	80	5	8
C8 12,000lb	66.4	200	23	92	35	11.5	9	4	11.4	2	23	42	20	9	99	5	11
C9 12,000lb	66.4	220	23	92	35	11.5	9	4	11.4	2	23	42	20	9	99	5	11
C12 24,000lb	76.2	290	32	107	41	16	16	6	14.6	3	26	43	30	13	114	6	14



(UK) John King Chains Limited.
New Climax Works, Lancaster Way, Sherburn in Elmet LS25 6NS UK
Telephone: (44) 01977 681910 Facsimile: (44) 01977 681899
E-mail: admin@johnking-chain.com
technical@johnking-chain.com
sales@johnking-chain.com

John King (USA) Inc.
200 Catherine Street, Unit 7B, E. Peoria IL61611 USA
Telephone: 309-698-9250 Facsimile: 309-698-9259
E-mail: salesusa@johnking-chain.com

Web: www.johnkingchains.com