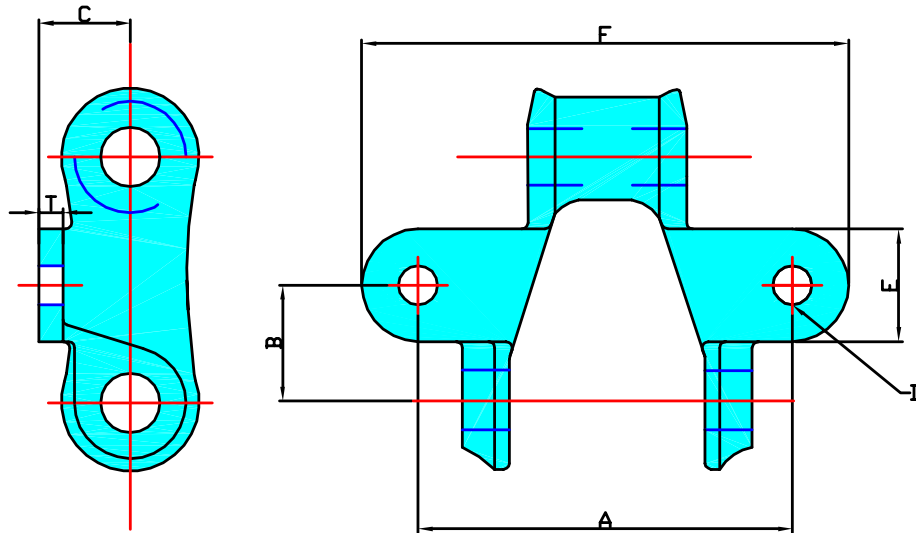


## PINTLE CHAINS

## BRITISH PATTERN



### TYPE K1

CHAIN N <sup>o</sup>	A		B		C		ØD		E		F		T	
	in	mm	in	mm	in	mm	in	mm	in	mm	in	mm	in	mm
133	2 <sup>1</sup> / <sub>16</sub>	52	1 <sup>1</sup> / <sub>16</sub>	17	7 <sup>1</sup> / <sub>16</sub>	11	1/4	6	3/4	19	3	76	1/8	3
152	2	51	5/8	16	3/8	10	1/4 ○	6	3/4	19	3	76	5/32	4
170	2 <sup>3</sup> / <sub>8</sub>	60	7/8	22	3/4	19	5/16	8	15/16	24	3 <sup>3</sup> / <sub>8</sub>	85	3/16	5

○ Denotes round holes



(UK) John King Chains Limited.  
 New Climax Works, Lancaster Way, Sherburn in Elmet LS25 6NS UK  
 Telephone: (44) 01977 681910 Facsimile: (44) 01977 681899  
 E-mail: admin@johnking-chain.com  
 technical@johnking-chain.com  
 sales@johnking-chain.com

John King (USA) Inc.  
 200 Catherine Street, Unit 7B, E. Peoria IL61611 USA  
 Telephone: 309-698-9250 Facsimile: 309-698-9259  
 E-mail: salesusa@johnking-chain.com

Web: www.johnkingchains.com