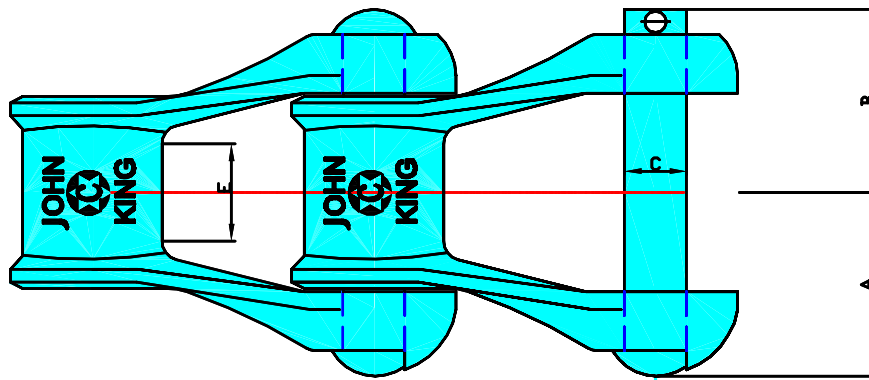
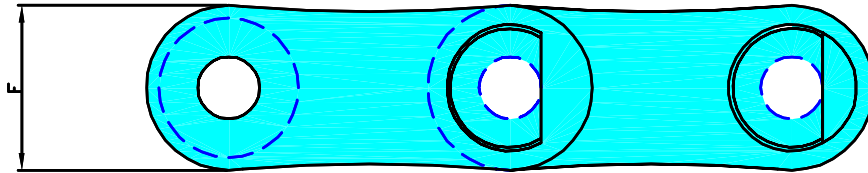


PINTLE CHAINS

BRITISH PATTERN



TRAVEL →

CHAIN N ^o	APPROX PITCH		A		B		C		E		F		No OF LINKS IN 10ft	ULTIMATE STRENGTH		NET WEIGHT	
	in	mm	in	mm	in	mm	in	mm	in	mm	in	mm		lb	kg	lb/ft	kg/m
133	1.38	35	1 ³ / ₁₆	21	5 ¹ / ₁₆	24	1 ¹ / ₄	6	1 ¹ / ₂	12	1 ¹ / ₁₆	17	87	4000	1810	1.3	1.94
152	1.38	35	1 ⁵ / ₁₆	24	1 ¹ / ₈	29	5 ¹ / ₁₆	8	1 ¹ / ₂	12	3 ³ / ₄	19	87	6500	2960	1.6	2.39
170	1.75	44.5	1 ³ / ₁₆	30	1 ¹ / ₄	32	3 ³ / ₈	10	9 ¹ / ₁₆	15	1 ⁵ / ₁₆	24	69	10000	4550	2.8	4.17



(UK) John King Chains Limited.
 New Climax Works, Lancaster Way, Sherburn in Elmet LS25 6NS UK
 Telephone: (44) 01977 681910 Facsimile: (44) 01977 681899
 E-mail: admin@johnking-chain.com
 technical@johnking-chain.com
 sales@johnking-chain.com

John King (USA) Inc.
 200 Catherine Street, Unit 7B, E. Peoria IL61611 USA
 Telephone: 309-698-9250 Facsimile: 309-698-9259
 E-mail: salesusa@johnking-chain.com

Web: www.johnkingchains.com