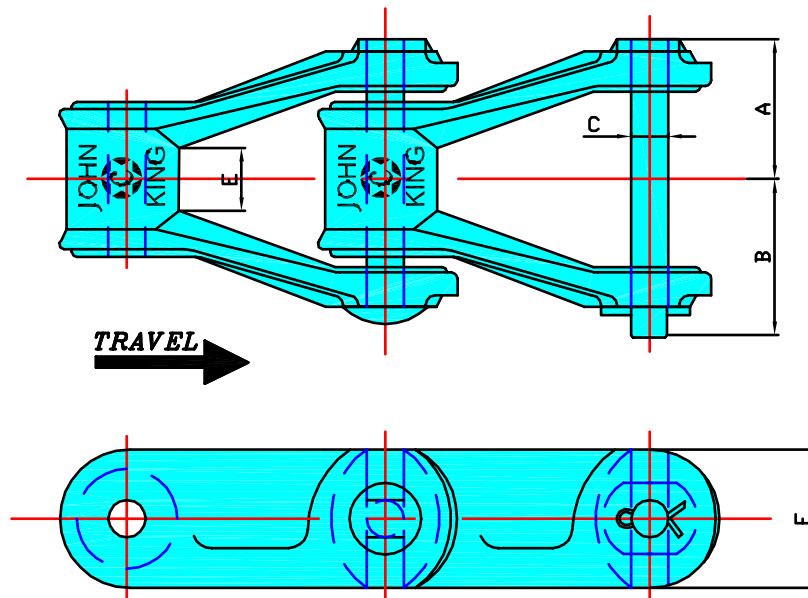


MILL CHAINS

AMERICAN PATTERN H CLASS

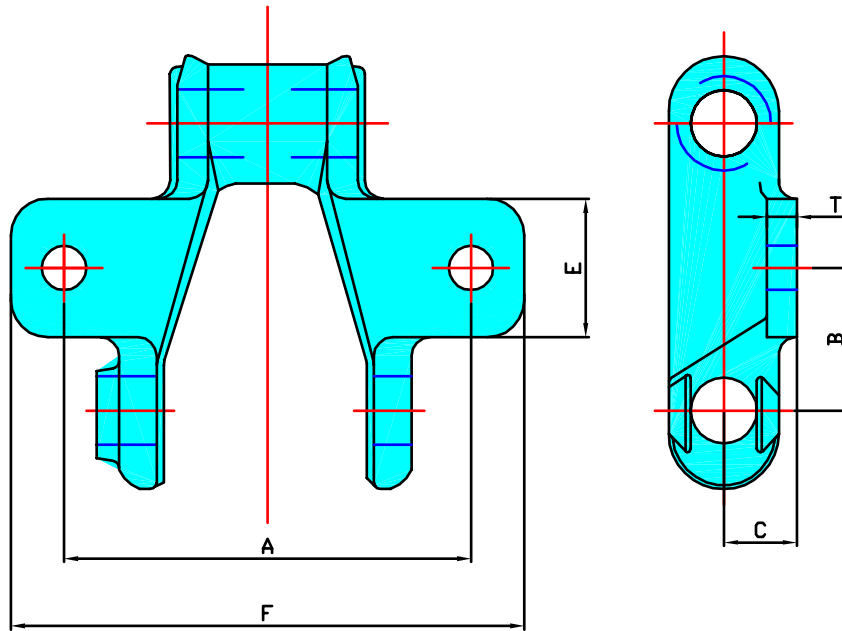


CHAIN N°	APPROX PITCH	A	B	C	E	F	No OF LINKS IN 10 ft	ULTIMATE STRENGTH	NET WEIGHT
								lb	lb/ft
H.60	2.308	1 ⁵ / ₁₆	1 ¹ / ₂	5 ¹ / ₁₆	3 ³ / ₄	3 ³ / ₄	52	7000	2.1
H.74	2.609	1 ⁷ / ₁₆	1 ⁹ / ₁₆	3 ³ / ₈	1	1	46	10000	3.0
H.78	2.609	1 ⁵ / ₈	1 ³ / ₄	1 ¹ / ₂	1 ¹ / ₈	1 ¹ / ₈	46	16000	4.2
H.82	3.075	2	2 ¹ / ₁₆	9 ¹ / ₁₆	1 ¹ / ₄	1 ¹ / ₄	39	20000	5.5
H.124	4.000	2 ⁷ / ₁₆	2 ¹¹ / ₁₆	3 ³ / ₄	1 ⁵ / ₈	1 ⁹ / ₁₆	30	30000	8.8



MILL CHAINS

AMERICAN PATTERN H CLASS ATTACHMENT



TYPE K1

CHAIN N°	A	B	C	D	E	F	T	NET WEIGHT lb/ft
H.60	3	1/16	3/4	5/16 ■	1/8	4	3/16	2.8
H.74	2 7/8	1/4	1 1/16	5/16 □	1/8	3 7/8	7/32	3.5
H.78	4	1/4	1 3/16	3/8 □	1 3/8	5	7/32	5.6
H.82	4 3/16	1/2	1 5/16	3/8 ○	1 3/4	5 5/16	7/32	6.5

- Square CSK holes
- Round holes
- Square holes

