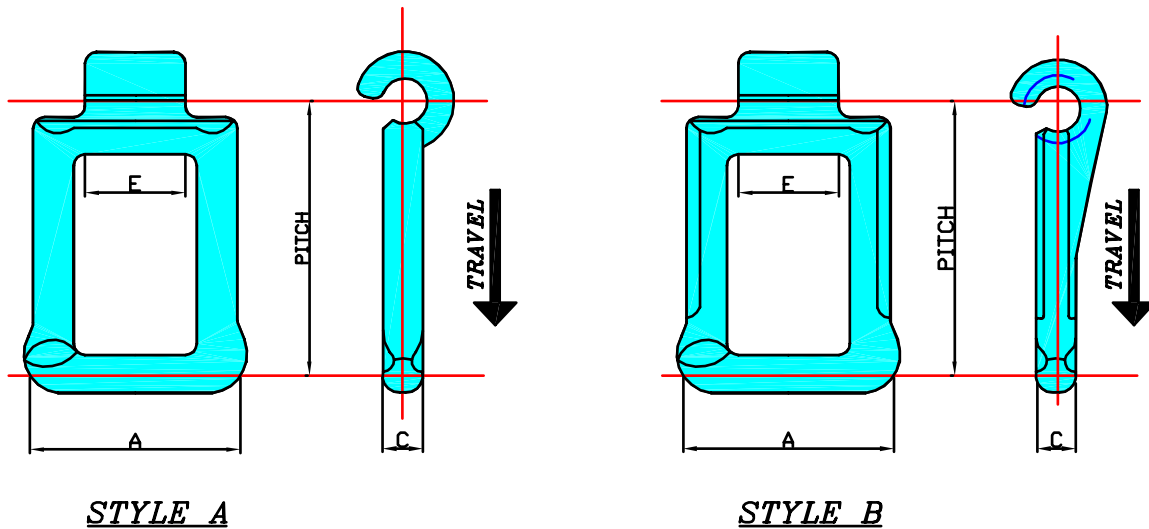


CAST DETACHABLE CHAINS

BRITISH PATTERN



STYLE A

STYLE B

CHAIN N°	STYLE	PITCH		WIDTH A		DIAMETER OF CROSSBAR C		MAXIMUM SPROCKET FACE E		No OF LINKS IN 10ft	AVERAGE ULTIMATE STRENGTH		AVERAGE NET WEIGHT	
		in	mm	in	mm	in	mm	in	mm		lb	kg	lb/ft	kg/m
42	A	1.38	35	1 ³ / ₈	35	1/4	6	5/8	16	87	2000	910	0.72	1.08
45	A	1.61	41	1 ³ / ₈	35	7/32	5.5	1/2	17	75	1500	680	0.57	0.85
48	A	2.03	51.5	1 ³ / ₈	41	15/64	5.6	7/8	23	59	2000	910	0.66	0.98
55	A	1.64	41.7	1 ³ / ₈	35	7/64	6.5	5/8	16	73	2500	1140	1.00	1.51
57	A	2.32	59	2	50	5/16	8	15/16	25	52	3000	1360	1.16	1.74
57S	A	2.40	61	2 ¹ / ₁₆	52	13/32	10.5	15/16	24	50	5000	2275	1.85	2.76
60	A	1.75	44.5	1 ³ / ₄	44	5/16	8	3/4	19	69	3000	1360	1.10	1.64
63	A	3.00	76	2 ⁵ / ₁₆	59	3/8	10	1 ³ / ₁₆	30	40	5000	2275	1.75	2.62
74	A	2.38	60.5	2 ¹ / ₁₆	68	7/16	11	1 ³ / ₁₆	30	51	6000	2730	2.90	4.33
88	B	2.66	67.7	3/4	82	1/2	12	1	26	45	7500	3400	3.70	5.51
101	A	3.55	90.2	4	102	13/32	15	1 ⁵ / ₁₆	41	34	12500	5700	6.20	9.25
103	B	3.02	77	3 ¹ / ₂	89	9/16	14	1 ¹ / ₈	28	40	9000	4100	4.30	6.43



(UK) John King Chains Limited.
 New Climax Works, Lancaster Way, Sherburn in Elmet LS25 6NS UK
 Telephone: (44) 01977 681910 Facsimile: (44) 01977 681899
 E-mail: admin@johnking-chain.com
 technical@johnking-chain.com
 sales@johnking-chain.com

John King (USA) Inc.
 200 Catherine Street, Unit 7B, E. Peoria IL61611 USA
 Telephone: 309-698-9250 Facsimile: 309-698-9259
 E-mail: salesusa@johnking-chain.com

Web: www.johnkingchains.com