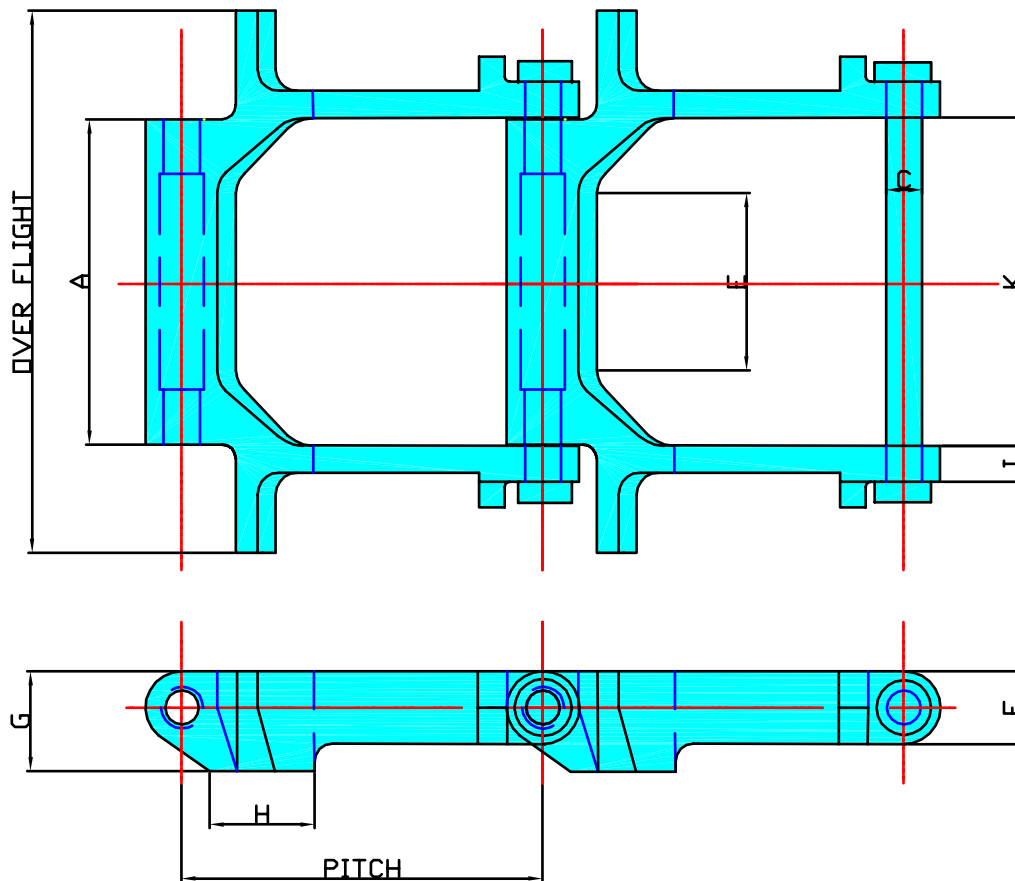


## FLS DRAG LINK CHAINS

## EUROPEAN PATTERN



CHAIN N°	PITCH		OVER FLIGHT		A		C		E		F		G		H		I		K	
	in	mm	in	mm	in	mm	in	mm	in	mm	in	mm	in	mm	in	mm	in	mm	in	mm
JKD200/220/TX250	7.87	200	9.84	250	7.09	180	0.71	18	4.96	126	1.57	40	2.17	55	3.74	95	0.79	20	7.17	182
JKD200/220/TX300	7.87	200	11.81	300	7.09	180	0.71	18	4.96	126	1.57	40	2.17	55	3.74	95	0.79	20	7.17	182
JKD200/220/TX450	7.87	200	17.72	450	7.09	180	0.71	18	4.96	126	1.57	40	2.17	55	3.74	95	0.79	20	7.17	182
JKD200/220/TX650	7.87	200	25.59	650	7.09	180	0.71	18	4.96	126	1.57	40	2.17	55	3.74	95	0.79	20	7.17	182
JKD200/285/TX300	7.87	200	11.81	300	8.66	220	1.02	26	3.94	100	2.04	50	2.61	64	4.92	125	1.14	29	9.18	225
JKD200/285/TX450	7.87	200	17.72	450	8.66	220	1.02	26	3.94	100	2.04	50	2.61	64	4.92	125	1.14	29	9.18	225
JKD200/285/TX500	7.87	200	23.62	500	8.66	220	1.02	26	3.94	100	2.04	50	2.61	64	4.92	125	1.14	29	9.18	225
JKD200/285/TX650	11.81	300	31.50	600	8.66	220	1.02	26	3.94	100	2.04	50	2.61	64	4.92	125	1.14	29	9.18	225
JKD300/460/TX500	11.81	300	19.69	500	14.96	380	1.38	35	11.81	300	2.76	70	3.31	84	5.90	150	1.54	39	15.08	383
JKD300/460/TX600	11.81	300	23.62	600	14.96	380	1.38	35	11.81	300	2.76	70	3.31	84	5.90	150	1.54	39	15.08	383
JKD400/690/TX800	15.75	400	31.50	800	22.76	575	1.81	46	16.46	416	4.09	106	5.31	135	7.80	198	2.17	55	22.83	580



(UK) John King Chains Limited.  
 New Climax Works, Lancaster Way, Sherburn in Elmet LS25 6NS UK  
 Telephone: (44) 01977 681910 Facsimile: (44) 01977 681899  
 E-mail: admin@johnking-chain.com  
 technical@johnking-chain.com  
 sales@johnking-chain.com

John King (USA) Inc.  
 200 Catherine Street, Unit 7B, E. Peoria IL61611 USA  
 Telephone: 309-698-9250 Facsimile: 309-698-9259  
 E-mail: salesusa@johnking-chain.com

Web: www.johnkingchains.com