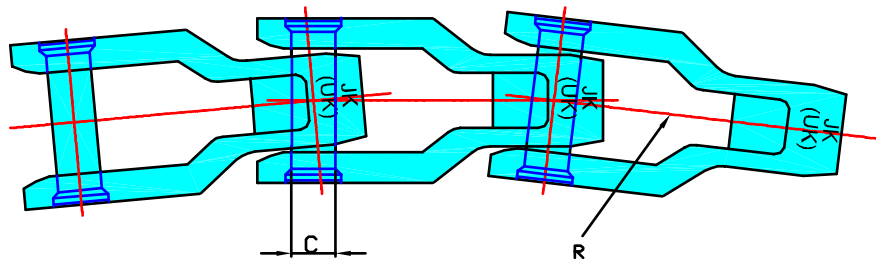
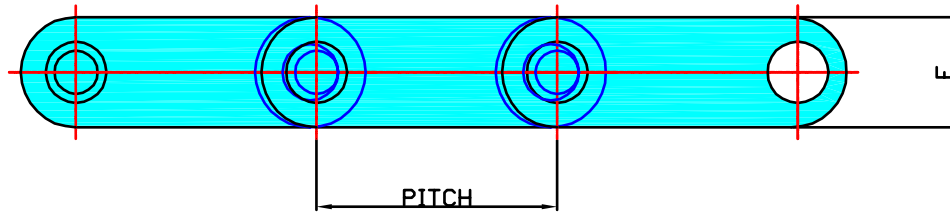


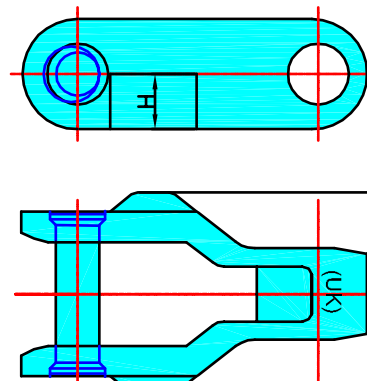
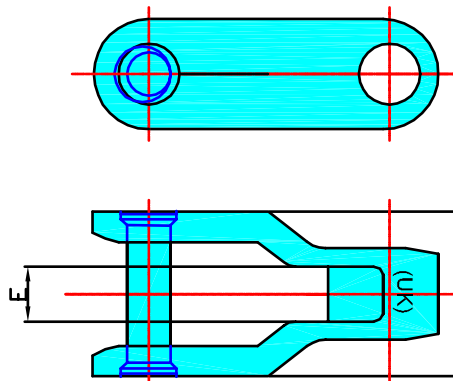
## CASE CONVEYOR CHAINS

## BRITISH PATTERN CC600/1300



### STANDARD TYPE

### D TYPE



TRAVEL

TRAVEL

CHAIN N°	PITCH		A		C		E		F		G		H		N° OF LINKS IN 10ft	ULTIMATE STRENGTH		WEIGHT		MINIMUM RADIUS R	
	in	mm	in	mm	in	mm	in	mm	mm	in	mm	in	mm	in		mm	lb	kg	lb/ft	kg/m	in
CC600	2.52	64	1 $\frac{1}{16}$	43	1 $\frac{1}{8}$	11	1/2	13	1 $\frac{1}{2}$	29	-	-	-	-	48	10000	4640	3.75	1.70	19	483
CC600D	2.52	64	1 $\frac{1}{16}$	43	7/16	11	1/2	13	1 $\frac{1}{8}$	29	2 $\frac{1}{8}$	54	1 $\frac{1}{8}$	18	48	10000	4540	4.00	1.82	19	483
CC1300	3.25	83	2 $\frac{1}{8}$	52	9/16	14	3/8	10	1 $\frac{1}{2}$	38	-	-	-	37	15000	6800	11.3	16.82	40	1016	
CC1300D	3.25	83	2 $\frac{1}{8}$	52	9/16	14	3/8	10	1 $\frac{1}{2}$	38	2 $\frac{1}{8}$	68	1 $\frac{5}{16}$	24	37	15000	6800	13.0	19.35	40	1016



(UK) John King Chains Limited.  
New Climax Works, Lancaster Way, Sherburn in Elmet LS25 6NS UK  
Telephone: (44) 01977 681910 Facsimile: (44) 01977 681899  
E-mail: admin@johnking-chain.com  
technical@johnking-chain.com  
sales@johnking-chain.com

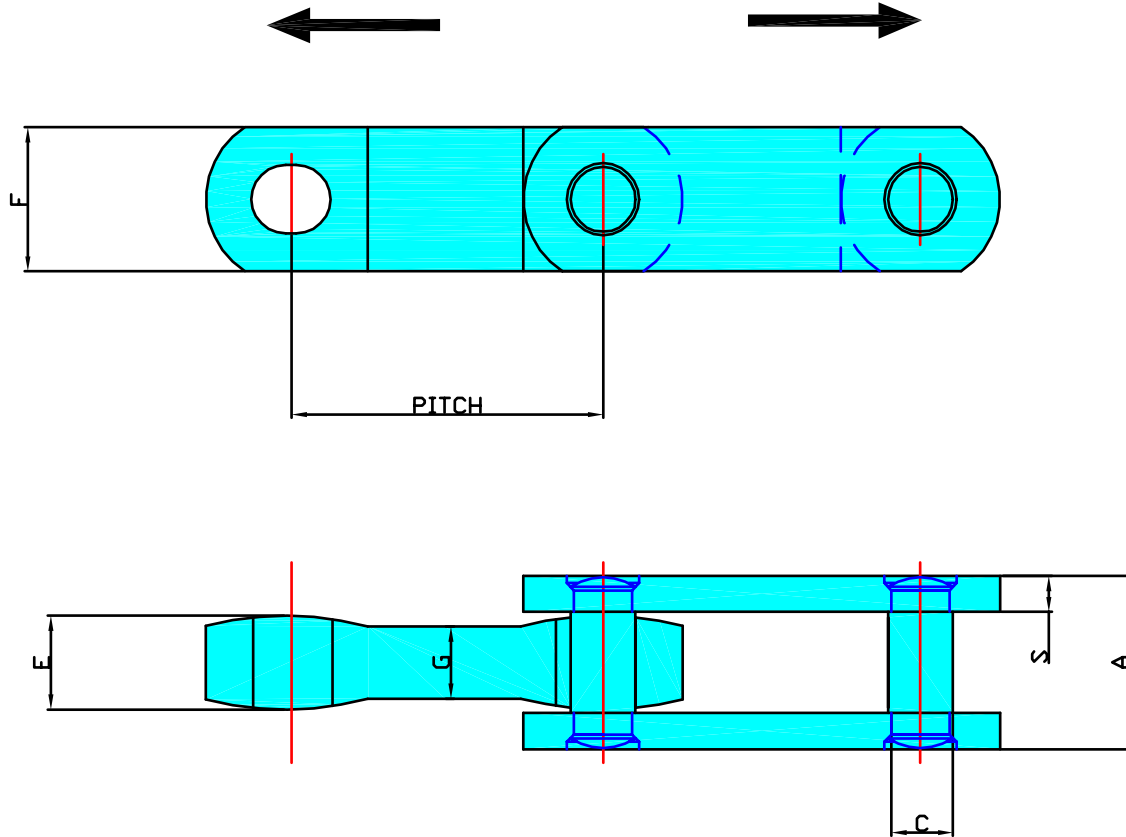
John King (USA) Inc.  
200 Catherine Street, Unit 7B, E. Peoria IL61611 USA  
Telephone: 309-698-9250 Facsimile: 309-698-9259  
E-mail: salesusa@johnking-chain.com

Web: www.johnkingchains.com

## COMBINATION CHAINS

**K3500**  
STEEL AND CAST

TRAVEL EITHER DIRECTION

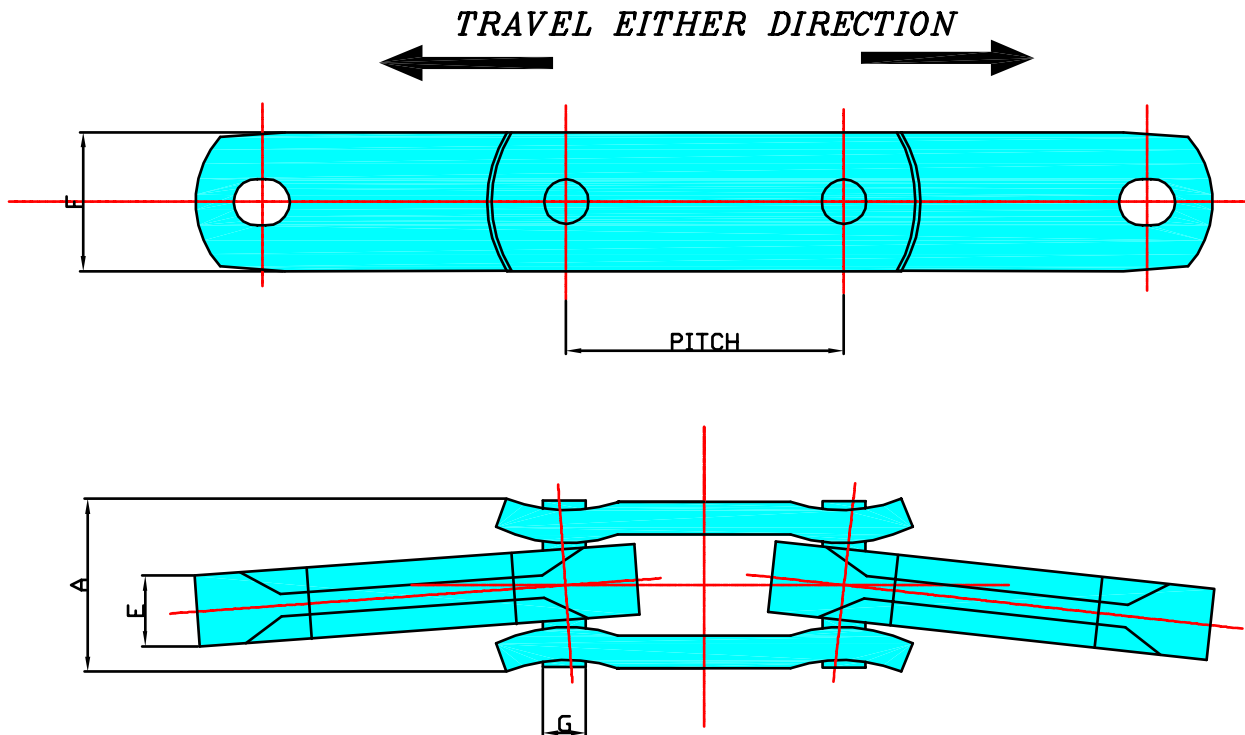


CHAIN N°	PITCH		A		C		E		F		G		S	
	in	mm	in	mm	in	mm	in	mm	in	mm	in	mm	in	mm
K3500	2 <sup>3</sup> / <sub>4</sub>	70	1/2	38	9/16	14	1 <sup>3</sup> / <sub>16</sub>	21	1 <sup>1</sup> / <sub>4</sub>	32	5/8	16	1 <sup>5</sup> / <sub>16</sub>	8



## DOUBLE FLEX CHAINS

A3500  
STEEL



CHAIN N°	PITCH		A		E		F		G		FLEX		AVERAGE WEIGHT	
	in	mm	in	mm	in	mm	in	mm	in	mm	in	mm	lb	kg
A3500	2.5	10	1.5	38	.63	16	1.25	32	.56	14	20	508	3.3	1.5
	3.0	12												



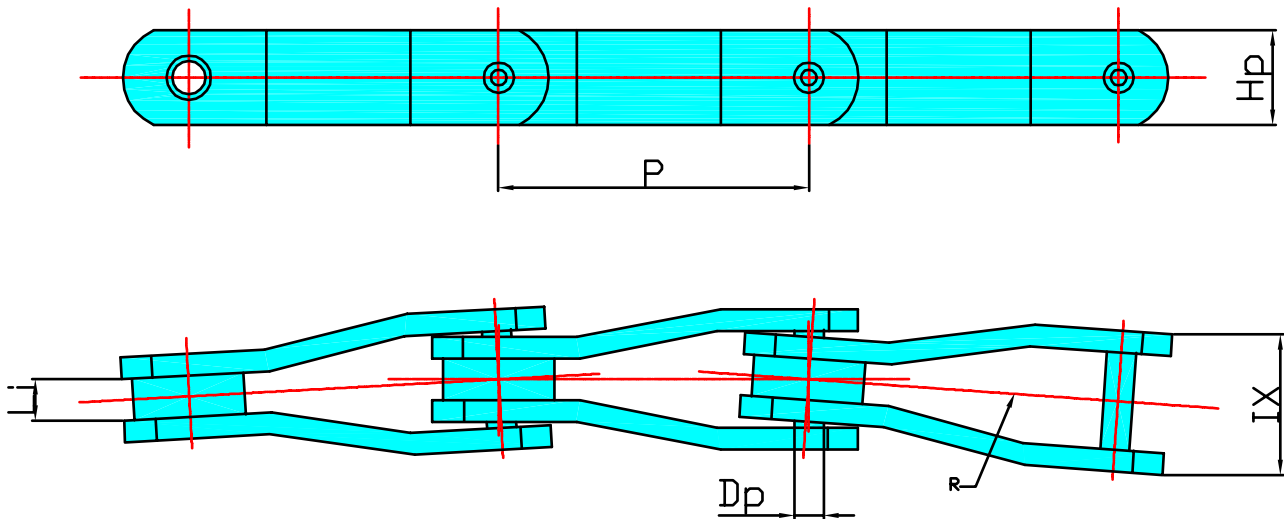
(UK) John King Chains Limited.  
New Climax Works, Lancaster Way, Sherburn in Elmet LS25 6NS UK  
Telephone: (44) 01977 681910 Facsimile: (44) 01977 681899  
E-mail: admin@johnking-chain.com  
technical@johnking-chain.com  
sales@johnking-chain.com

John King (USA) Inc.  
200 Catherine Street, Unit 7B, E. Peoria IL61611 USA  
Telephone: 309-698-9250 Facsimile: 309-698-9259  
E-mail: salesusa@johnking-chain.com

Web: www.johnkingchains.com

## CASE CONVEYOR CHAINS

635/635A



### STYLE P

CHAIN N°	P mm	Li mm	Dp mm	Hp mm	IX mm	R mm	BREAKING LOAD kN
635/635A	63.50	13	11	30	41	400	70

