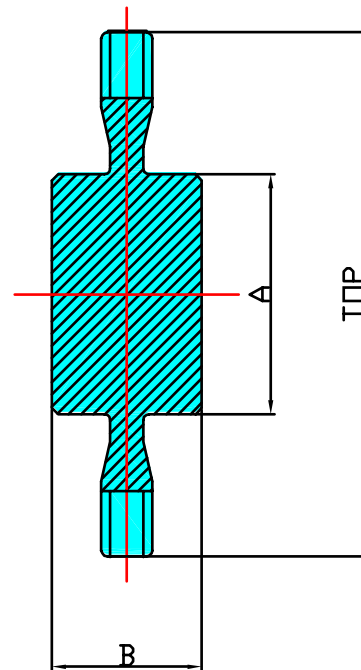
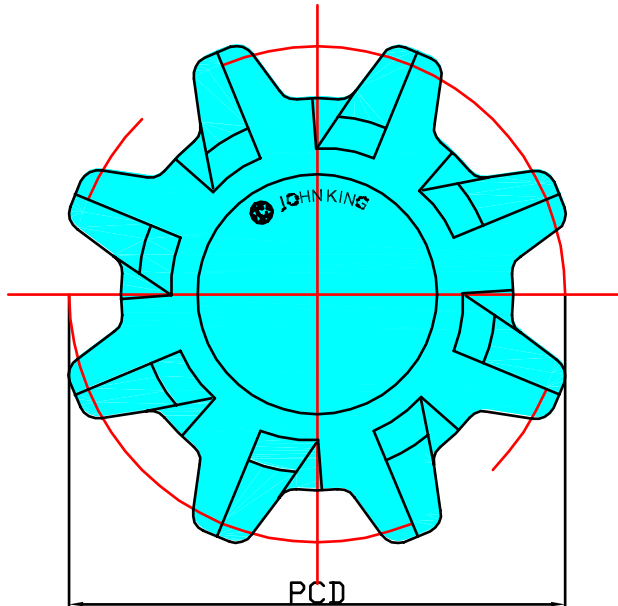


SPROCKETS

CAST CC600 / CC1300 DRIVE SPROCKETS



SPROCKET No.	No. OF TEETH	BOSS SIZES				PCD		TOP	
		A		B		in	mm	in	mm
		in	mm	in	mm				
41/CC600/6T	6	3	76.2	2¼	57.15	5.00	127.0	5.60	142.30
41/CC600/8T	8	3½	88.9	2½	63.5	6.53	165.90	7.0	177.80
41/CC600/10T	10	4½	114.3	2½	63.5	8.09	205.50	9.20	234.00
41/CC600/12T	12	5	127	3¾	69.85	9.66	245.40	10.25	260.00
41/CC600/14T	14	5	127	3	76.2	11.24	285.50	12.30	312.00
41/CC1300/8T	8	3½	88.9	2¼	57.15	8.49	215.65	9.40	239.00
41/CC1300/10T	10	4	101.6	3	76.02	10.52	267.20	11.63	295.00
41/CC1300/12T	12	5½	139.7	3	76.02	12.56	319.00	13.75	349.00
41/CC1300/14T	14	5½	139.7	3½	88.9	14.61	371.10	15.80	401.00



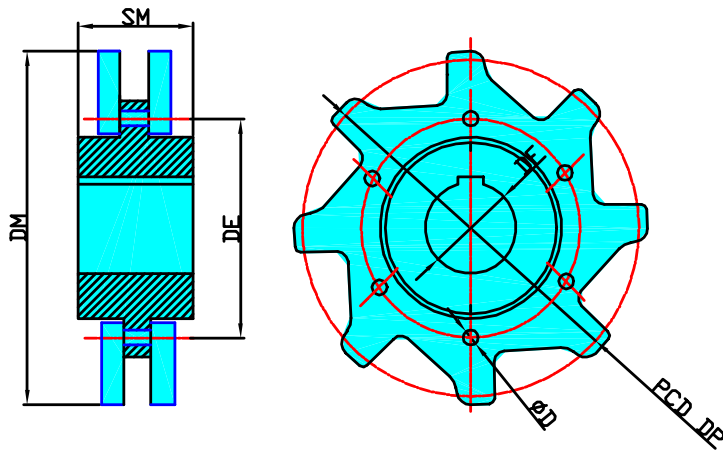
(UK) John King Chains Limited.
New Climax Works, Lancaster Way, Sherburn in Elmet LS25 6NS UK
Telephone: (44) 01977 681910 Facsimile: (44) 01977 681899
E-mail: admin@johnking-chain.com
technical@johnking-chain.com
sales@johnking-chain.com

John King (USA) Inc.
200 Catherine Street, Unit 7B, E. Peoria IL61611 USA
Telephone: 309-698-9250 Facsimile: 309-698-9259
E-mail: salesusa@johnking-chain.com

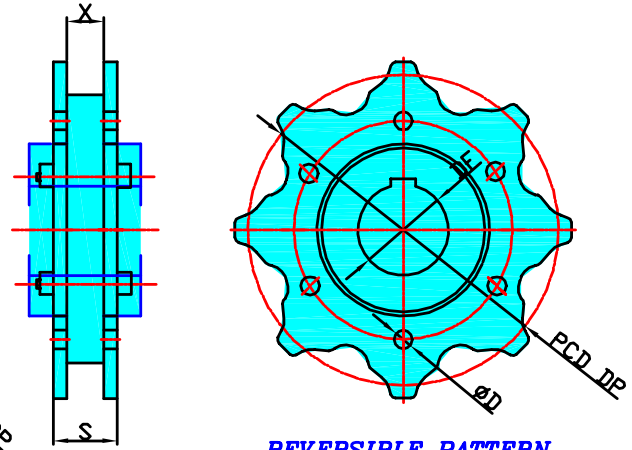
Web: www.johnkingchains.com

FORGED FORK LINK CHAINS

SPROCKETS



STANDARD ASYMMETRICAL PATTERN



REVERSIBLE PATTERN

All measurements in mm.

CHAIN No.	No. OF TEETH	DM (TOP)	DP PCD	DE (HOLE PCD)	DF (MAX)	øD	No. OF HOLES	S	X	SM		
10160 10160R*	6	216	203.2	132	70	10	6	34	36*	10	12*	83
	7	246	235.1	146	70	12	6	34	36*	10	12*	83
	8	277	265.49	168	85	12	6	34	36*	10	12*	83
	10	340	328.78	200	105	12	6	34	36*	10	12*	83
	12	404	392.55	260	105	12	8	34	36*	10	12*	83
14218	6	304	284.0	168	85	12	6	45		15		95
	7	344	327.3	200	105	16	6	45		15		112
	8	390	371.06	241	115	20	8	45		15		127
	9	435	415.18	286	150	20	8	45		15		127
	10	480	459.52	286	150	20	8	45		15		127
	11	524	504.02	368	170	20	8	45		15		150
	12	570	548.64	415	170	20	8	45		15		150
	13	614	593.37	470	170	20	8	45		15		150
14226	7	344	327.3	200	105	16	6	60		20		112
	8	390	371.06	241	114	20	8	60		20		150
	9	435	415.18	286	150	20	8	60		20		150
	10	480	459.52	286	150	20	8	60		20		150
	11	524	504.02	368	170	20	8	60		20		150
	12	570	548.64	415	170	20	8	60		20		150
	13	614	593.37	470	170	20	8	60		20		180
	14	660	638.15	470	170	20	8	60		20		180
21640	6	459	432.0	247.7	140	20	6	65		25		150
	7	524.8	497.8	311.2	140	24	8	65		25		150
	8	591.4	564.4	381.0	170	20	8	65		25		150
	9	658.5	631.5	431.8	170	24	8	65		25		203
	10	726	699.0	490.0	170	24	8	65		25		203
26040	8	710	679.40	460	180	20	8	82		25		150
	10	870	841.37	460	180	24	8	82		25		150
	12	1035	1004.56	460	180	24	8	82		25		150



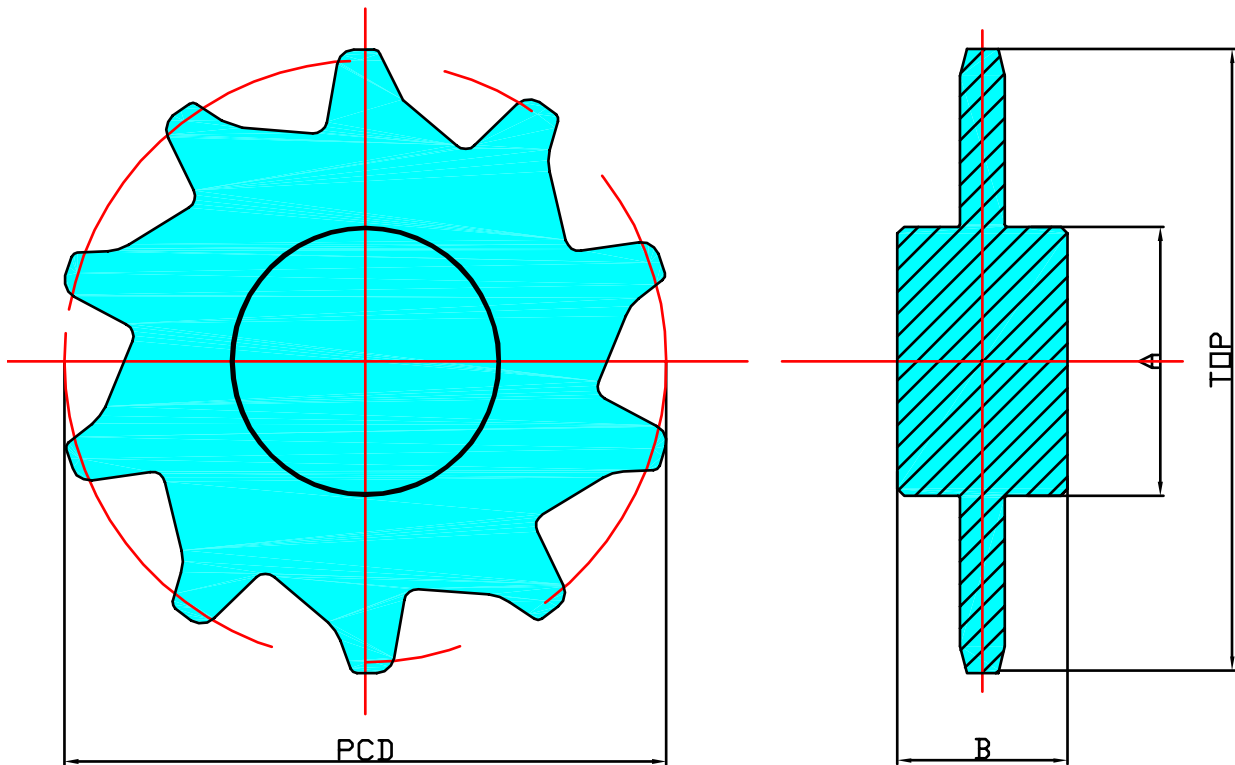
(UK) John King Chains Limited.
 New Climax Works, Lancaster Way, Sherburn in Elmet LS25 6NS UK
 Telephone: (44) 01977 681910 Facsimile: (44) 01977 681899
 E-mail: admin@johnking-chain.com
 technical@johnking-chain.com
 sales@johnking-chain.com

John King (USA) Inc.
 200 Catherine Street, Unit 7B, E. Peoria IL61611 USA
 Telephone: 309-698-9250 Facsimile: 309-698-9259
 E-mail: salesusa@johnking-chain.com

Web: www.johnkingchains.com

ACETAL CASE CHAINS

PM600 / PM1400 DRIVE SPROCKETS

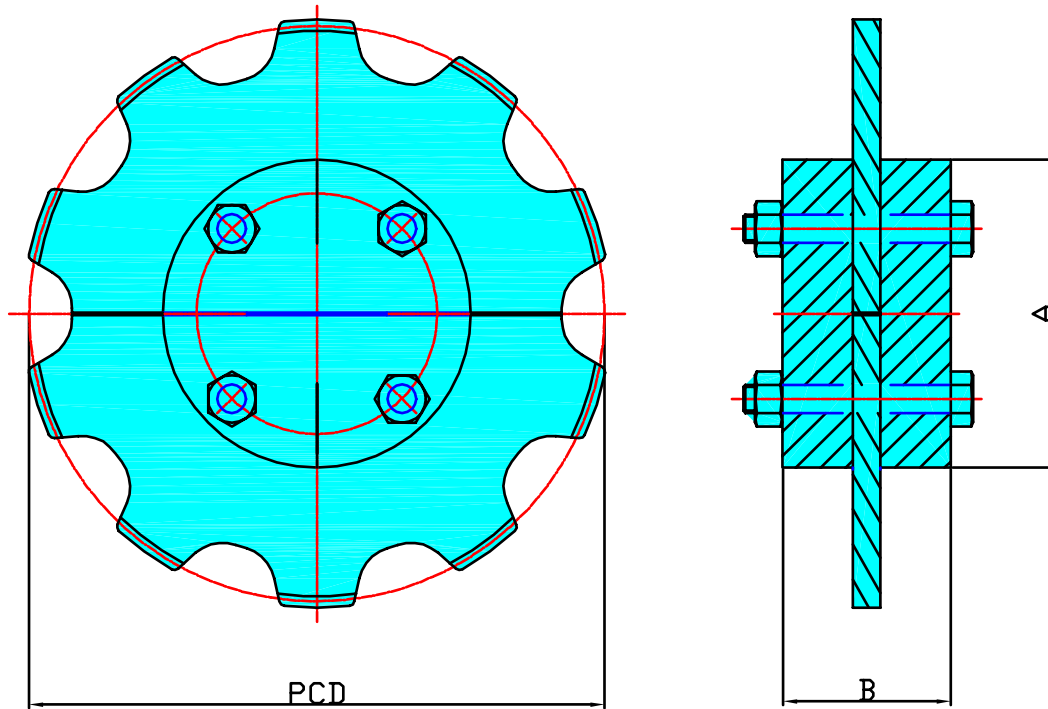


SPROCKET No.	No. OF TEETH	BOSS SIZES				PCD		TOP	
		A		B		in	mm	in	mm
		in	mm	in	mm				
36 / PM600 / 6T	6	3	76.2	2¼	57.15	5.00	127.0	5.60	142.30
36 / PM600 / 8T	8	3½	88.9	2½	63.5	6.53	165.90	7.0	177.80
36 / PM600 / 10T	10	4½	114.3	2½	63.5	8.09	205.50	9.20	234.00
36 / PM600 / 12T	12	5	127	3¾	69.85	9.66	245.40	10.25	260.00
36 / PM600 / 14T	14	5	127	3	76.2	11.24	285.50	12.30	312.00
36 / PM1400 / 8T	8	3½	88.9	2¼	57.15	8.49	215.65	9.40	239.00
36 / PM1400 / 10T	10	4	101.6	3	76.02	10.52	267.20	11.63	295.00
36 / PM1400 / 12T	12	5½	139.7	3	76.02	12.56	319.00	13.75	349.00
36 / PM1400 / 14T	14	5½	139.7	3½	88.9	14.61	371.10	15.80	401.00



ACETAL CASE CHAINS

SPLIT CONSTRUCTION DRIVE SPROCKETS

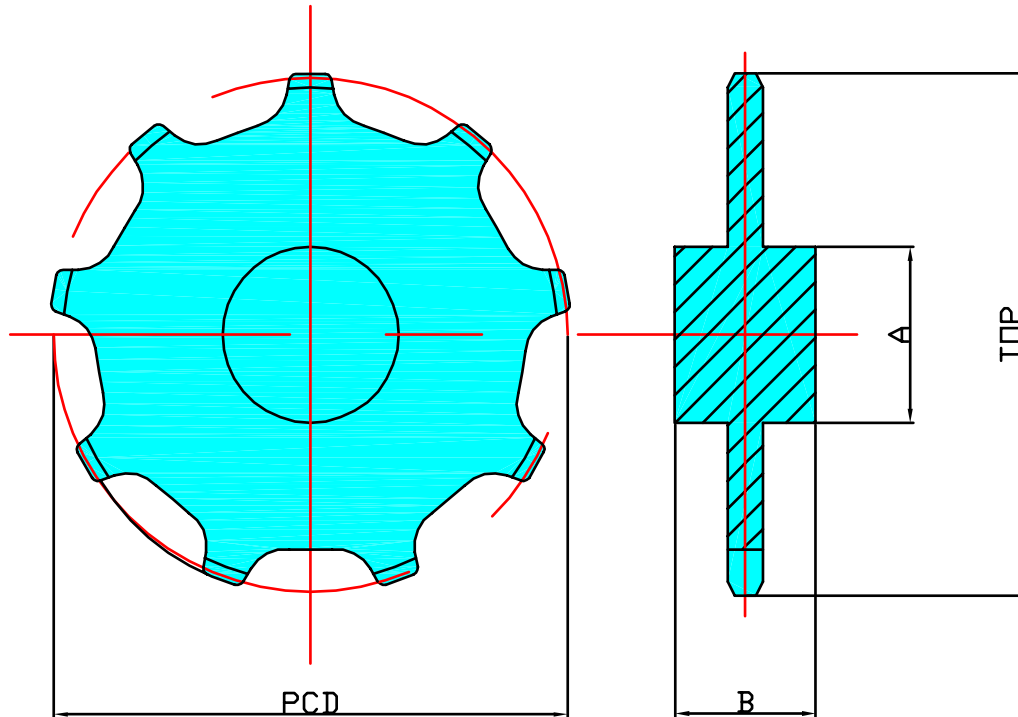


SPROCKET No.	No. OF TEETH	BOSS SIZES				PCD	
		A		B		in	mm
		in	mm	in	mm		
36/PM600/6TS	6	4	100	2	50	5.00	127.0
36/PM600/8TS	8	4	100	2	50	6.53	165.90
36/PM600/10TS	10	4	100	2	50	8.09	205.50
36/PM600/12TS	12	4	100	2	50	9.66	245.40
36/PM600/14TS	14	4	100	2	50	11.24	285.50
36/PM1400/8TS	8	4	100	2½	63.5	8.49	215.65
36/PM1400/10TS	10	4	100	2½	63.5	10.52	267.20
36/PM1400/12TS	12	4	100	2½	63.5	12.56	319.00
36/PM1400/14TS	14	4	100	2½	63.5	14.61	371.10



ACETAL CASE CHAINS

PM1700 DRIVE SPROCKETS



SPROCKET No.	No. OF TEETH	BOSS SIZES				PCD		TOP	
		A		B		in	mm	in	mm
		in	mm	in	mm				
36/PM1700/8T	8	1.97	50	1.57	40	5.14	130.60	5.24	133.00
36/PM1700/10T	10	2.36	60	1.97	50	6.37	161.80	6.54	166.00
36/PM1700/12T	12	2.36	60	1.97	50	7.60	193.00	7.72	196.00



ACETAL CASE CHAINS

PM508 DRIVE SPROCKETS

SPROCKET No.	No. OF TEETH	HUB DIAMETER		BOTTOM DIAMETER		PCD		TOP	
		in	mm	in	mm	in	mm	in	mm
36/PM508/8T	8	2.56	65.0	3.95	100.3	5.23	132.8	5.28	134.00
36/PM508/10T	10	2.56	65.0	5.20	132.0	6.47	164.4	6.61	168.00
36/PM508/12T	12	2.56	65.0	6.46	164.0	7.73	196.3	8.03	204.00
36/PM508/15T	15	2.56	65.0	8.35	212.1	9.62	244.3	9.84	250.00



(UK) John King Chains Limited.
 New Climax Works, Lancaster Way, Sherburn in Elmet LS25 6NS UK
 Telephone: (44) 01977 681910 Facsimile: (44) 01977 681899
 E-mail: admin@johnking-chain.com
technical@johnking-chain.com
sales@johnking-chain.com

John King (USA) Inc.
 200 Catherine Street, Unit 7B, E. Peoria IL61611 USA
 Telephone: 309-698-9250 Facsimile: 309-698-9259
 E-mail: salesusa@johnking-chain.com

Web: www.johnkingchains.com